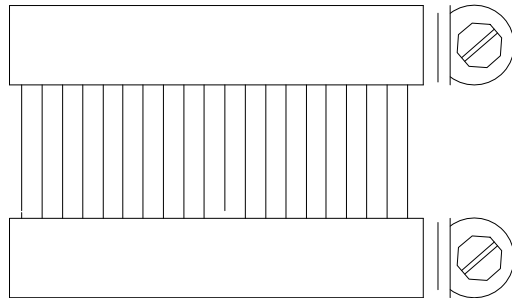
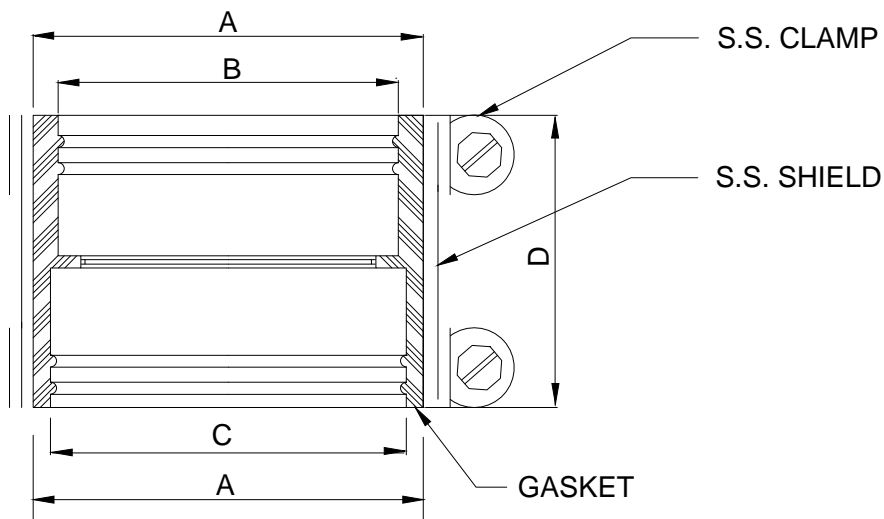


NO-HUB ADAPTOR COUPLING FOR PLASTIC TO C.I. CONNECTION



CLAMP & SHIELD MATERIAL :
301 STAINLESS STEEL

SIDE VIEW



SECTION VIEW

GASKET MATERIAL : NEOPRENE
COMPLIES WITH - ASTM C-564
CSA - B-602

	A	B	C	D
2"	2.70	2.30	2.30	2.12
3"	3.75	3.30	3.45	2.12
4"	4.75	4.30	4.45	2.12

FUNCTION OF COMPONENT

* Used as an adaptor to connect no-hub cast iron to sch. 40 i.p.s. pipe



PROSET[®]
SYSTEMS
FIRESTOP PENETRATOR™

DATE :
3 - 1 - 92

DRG . NO .
S - 47