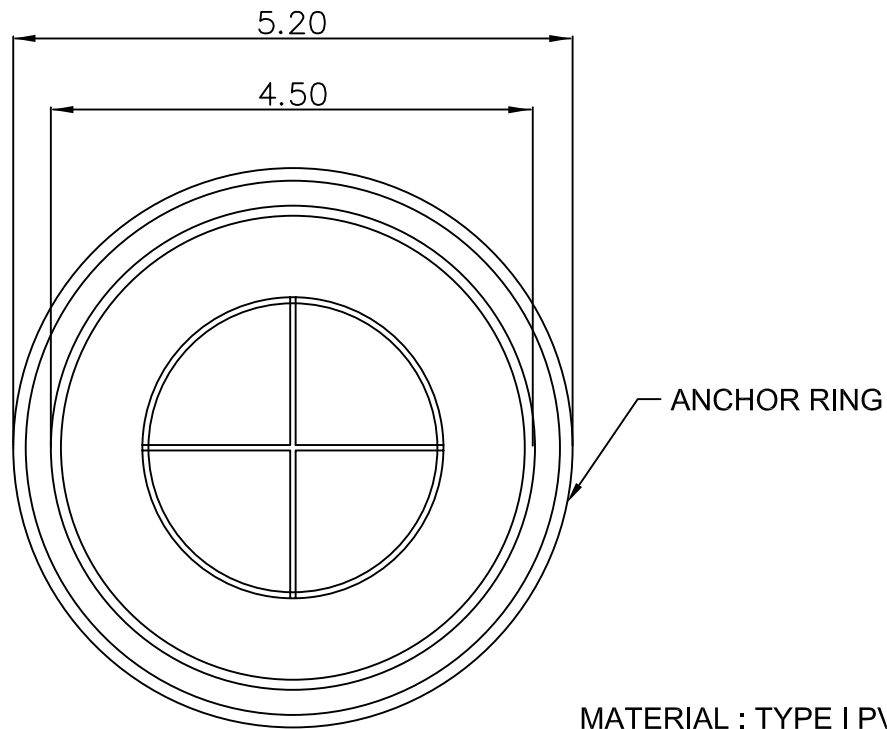
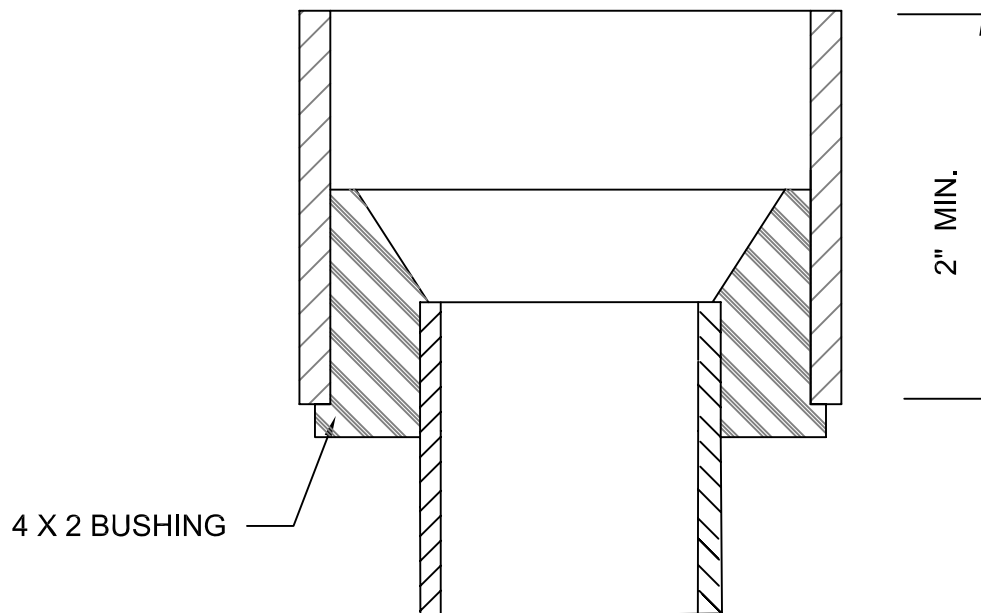


PRECAST SHOWER OR HUB DRAIN



MATERIAL : TYPE I PVC



FUNCTION OF COMPONENT

- * PROVIDES A RECESS IN CONCRETE, TO CONNECT A PRECAST SHOWER DRAIN, JANITORS SINK, ETC..
- * PROVIDES FOR A HUB DRAIN FLUSH WITH FLOOR OR CAN BE EXTENDED ABOVE THE FLOOR.



PROSET[®]
SYSTEMS
FIRESTOP PENETRATOR™

DATE :

1-10-08

DRG . NO .

P - 61