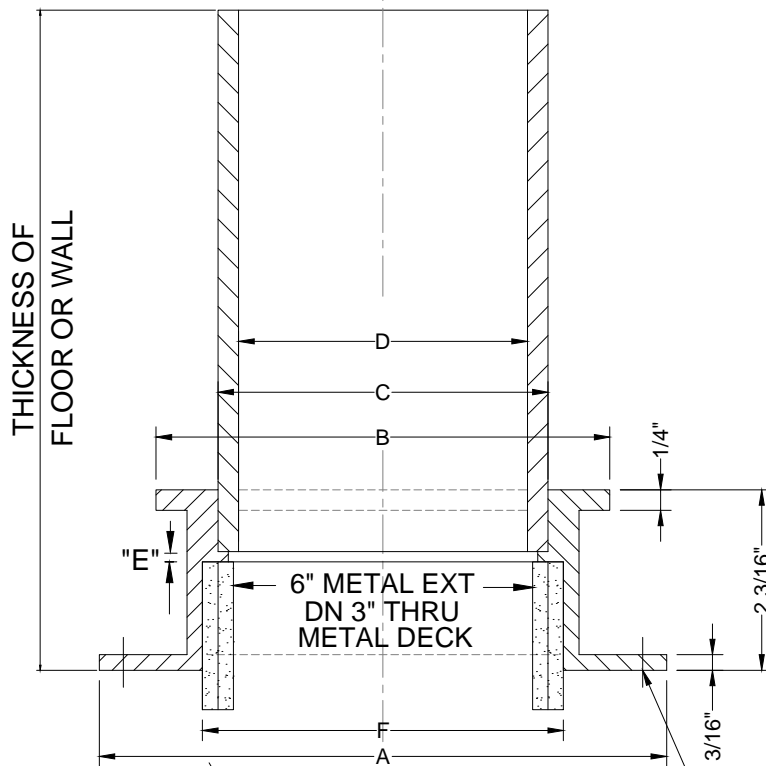


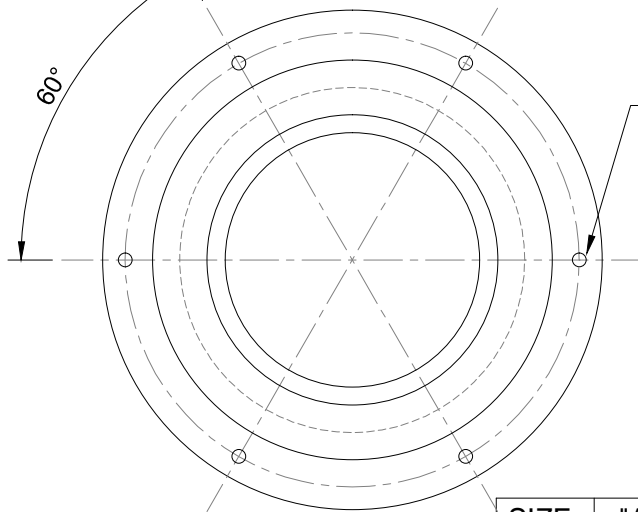
SERIES 49 SELF-SEAL COUPLING

FOR CORRUGATED METAL DECK



6 - 1/8" DIA HOLES
PREDRILLED FASTENING FLANGE

PREDRILLED FASTENING FLANGE



NOTE:

Components are constructed of
Type 1 fire rated PVC resin.
Flame spread rating 18 or less.

				RED	BLK	GRN		
SIZE	"A"	"B"	"C"	"D"	"D"	"D"	"E"	"F"
2"	5"	3.875"	2.75"	2.40"	2.46"	2.42"	0.07"	3.00"
3"	6-875"	5.625"	4"	3.52"	3.68"	3.55"	0.07"	4.70"
4"	8.25"	7"	5"	4.52"	4.60"	4.55"	0.07"	6.31"
6"	11"	9.75"	7.25"	6.62"	6.79"	N.A.	0.10"	9.00"

FUNCTION OF COMPONENT

Used as a self-sealing sleeve coupling
for Plastic pipes passing through floors or walls.
with built-in intumescent wrap strips.



PROSET[®]
SYSTEMS
FIRESTOP PENETRATOR[™]

DATE :

10-15-15

DWG NO.

P-49-CM-DIM