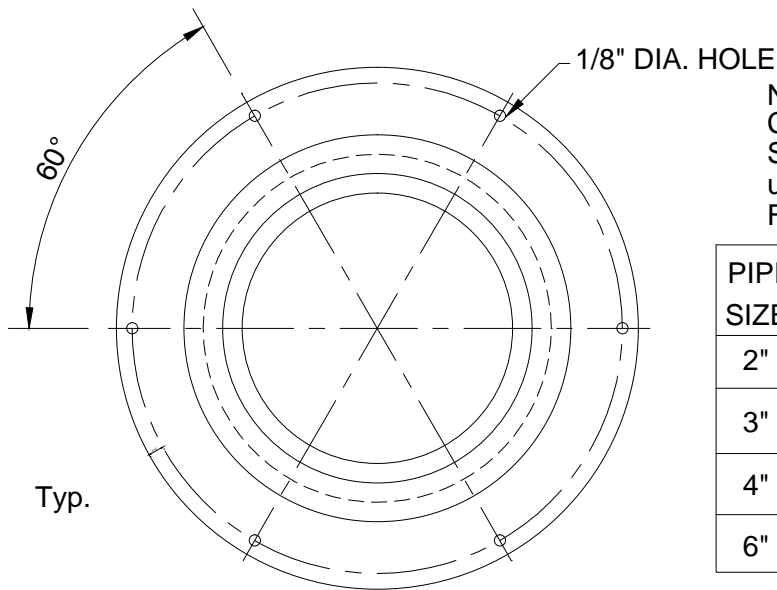
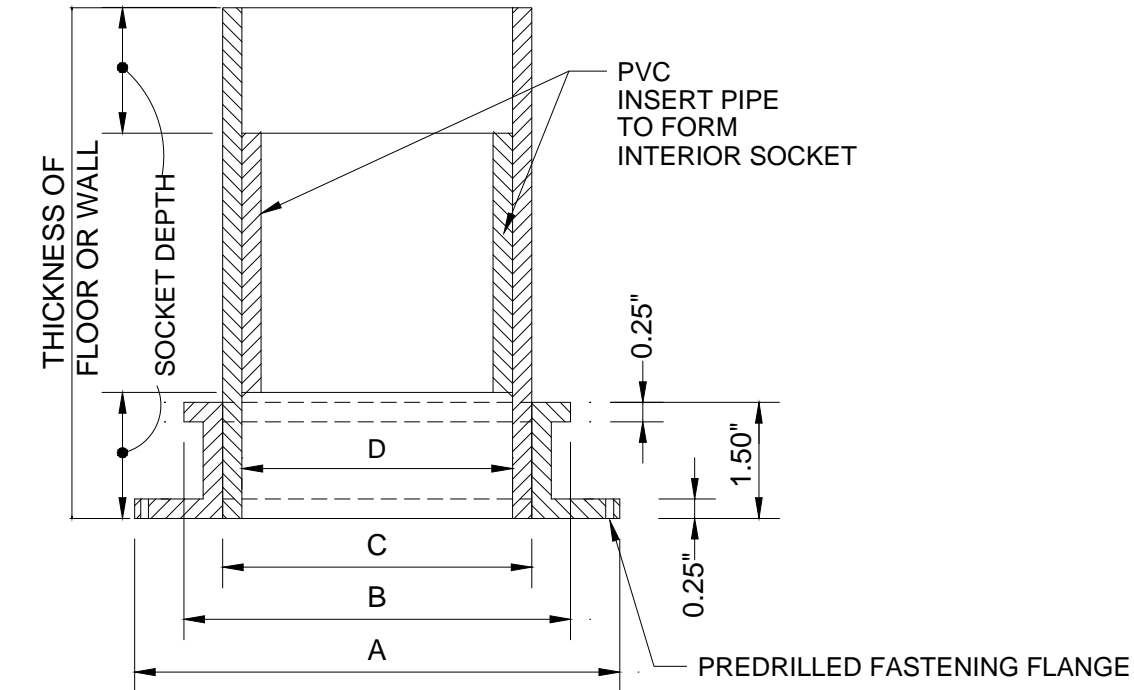


# SERIES 48 COUPLING WITH SOCKETS ON BOTH SIDES



**NOTE:**  
Components are constructed of Schedule 40 size PVC material using Type 1 fire rated PVC resin. Flame spread rating 20 or less.

PIPE SIZE	DIMENSIONS (IN INCHES)			
	A	B	C	D
2"	5.00	3.75	2.75	2.40
3"	6.27	5.02	4.02	3.52
4"	7.25	6.00	5.00	4.52
6"	9.52	8.27	7.27	6.65

### FUNCTION OF COMPONENT

- \* Used when pipe interior needs to be installed to form a socket opening, top & bottom.
- \* Used for water closets, cleanouts or long stacks, etc.



PROSET<sup>®</sup>

SYSTEMS

FIRESTOP PENETRATOR™

DATE :  
1-10-06

DRG . NO .  
P - 48