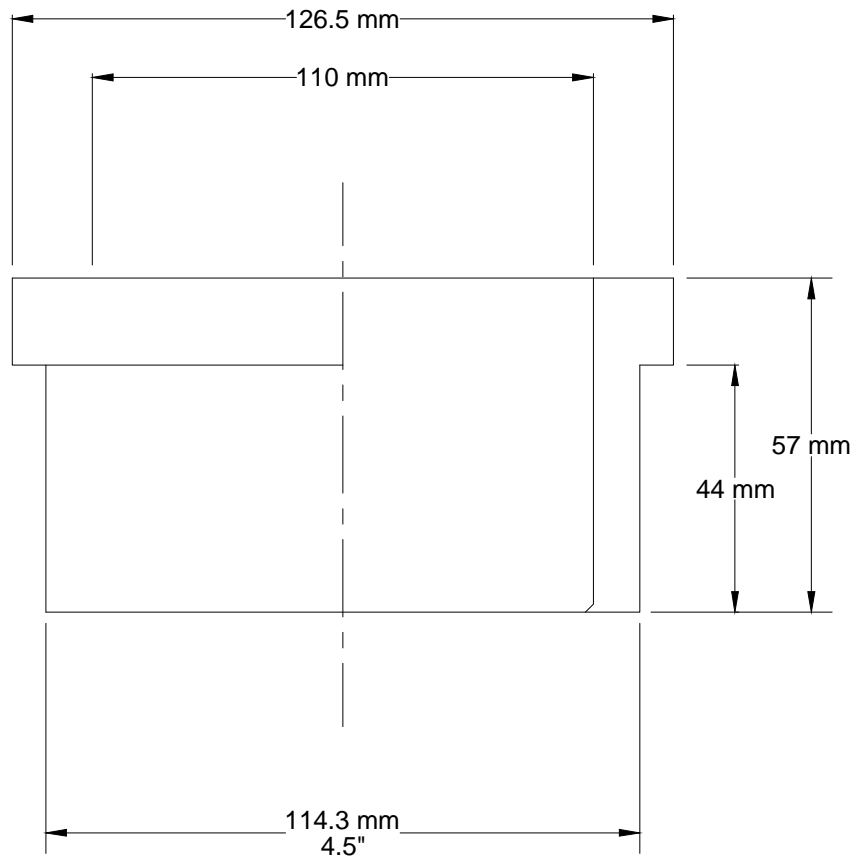


4" TO 110 mm REDUCER

TO CONVERT 4" HUB TO METRIC 110 mm PIPE



FUNCTION OF COMPONENT

* Convert 4" hub to metric 110 mm pipe.



PROSET[®]
SYSTEMS
FIRESTOP PENETRATOR[™]

DATE :

7-10-11

DRG . NO .

MP4