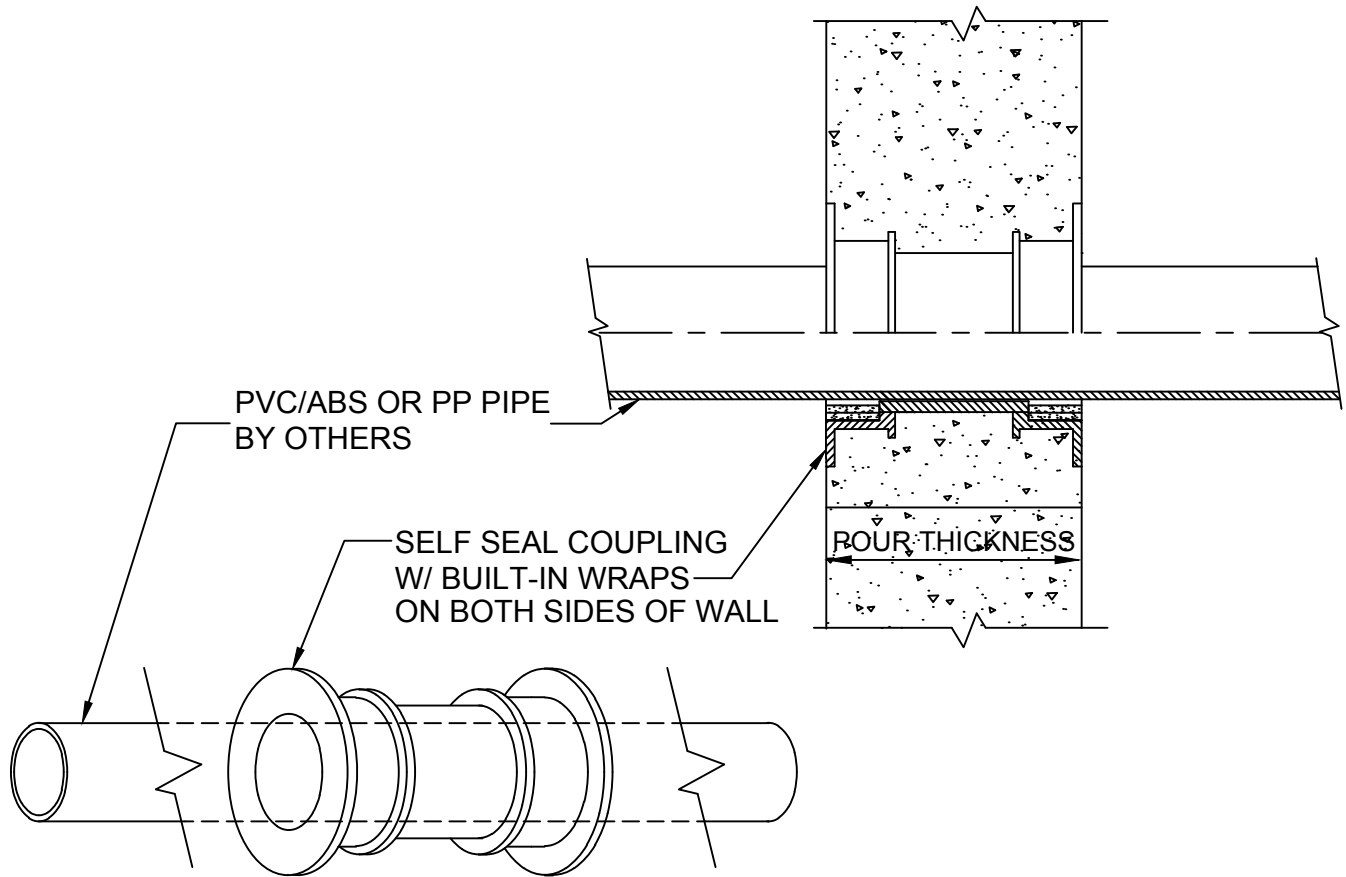


SELF SEAL WALL SLEEVE

FOR POURED CONCRETE WALLS



Size	Part No.	Description	Price
2"	P2549H-PCW	2" Self Seal PCW Sleeve	24.55
3"	P3549H-PCW	3" Self Seal PCW Sleeve	54.70
4"	P4549H-PCW	4" Self Seal PCW Sleeve	80.05

ALL ABOVE SLEEVES ARE FOR SLEEVING THROUGH POURED CONCRETE WALLS



W.H. Directory Reference 00 Edition
Firestop Device
W.H. Design No. PS/PHV 180-03
F Rating 3 Hrs.



PROSET[®]
SYSTEMS
FIRESTOP PENETRATOR™

DATE :
05-31-21

DRG . NO .
C-9049-PGp