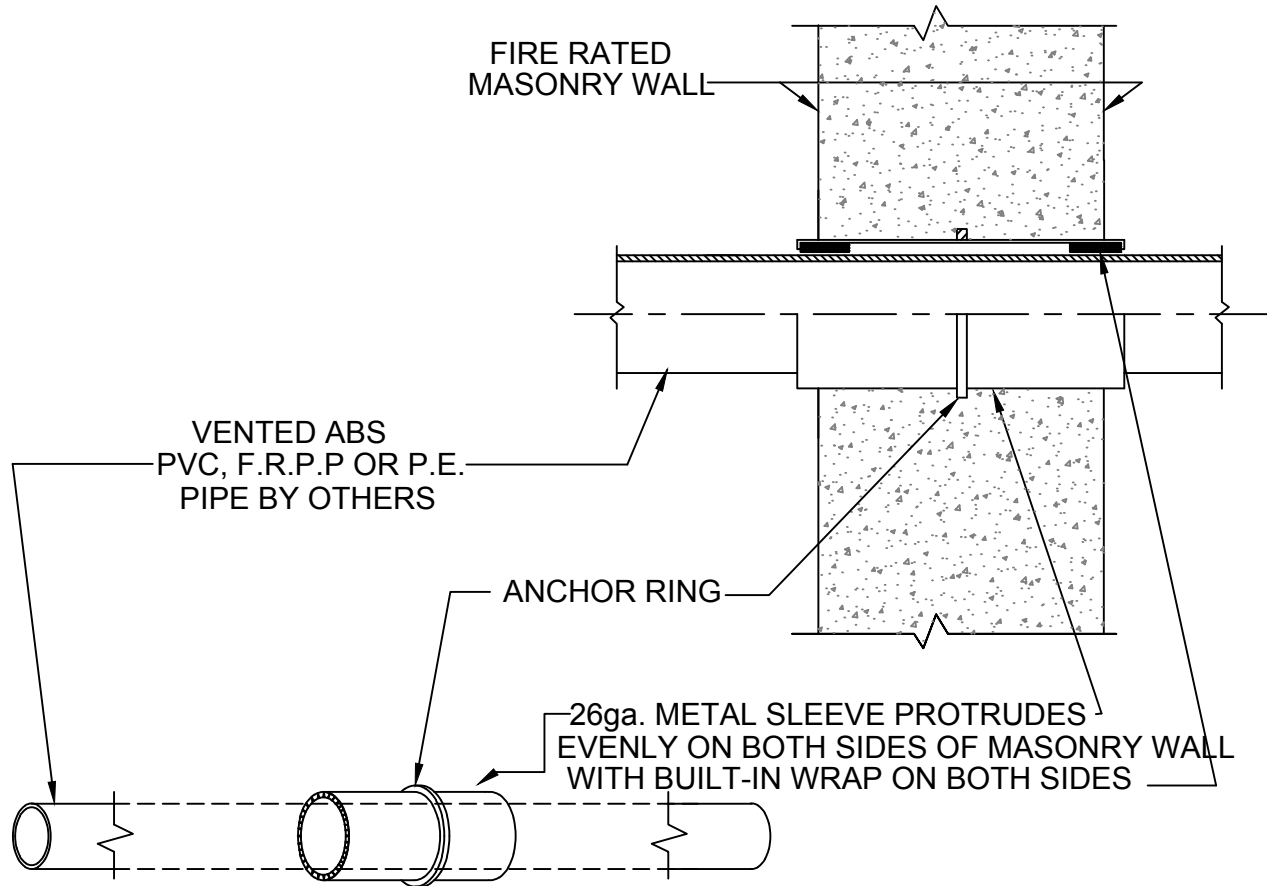


# SELF SEAL WALL SLEEVE

FOR MASONRY BLOCK WALLS



Size	Part No.	Description	Price	Hole Size
2"	S2549H-MW	2" Self Seal MW Sleeve	26.35	3"
3"	S3549H-MW	3" Self Seal MW Sleeve	40.20	4 1/2"
4"	S4549H-MW	4" Self Seal MW Sleeve	60.05	6"



W.H. Directory Reference 01 Edition  
Firestop Device  
W.H. Design No. PS/PHV 180-03  
F Rating 3 Hrs.



**PROSET**<sup>®</sup>  
**SYSTEMS**  
FIRESTOP PENETRATOR™

DATE :  
05-31-21  
DRG . NO .  
C-9049-Gp