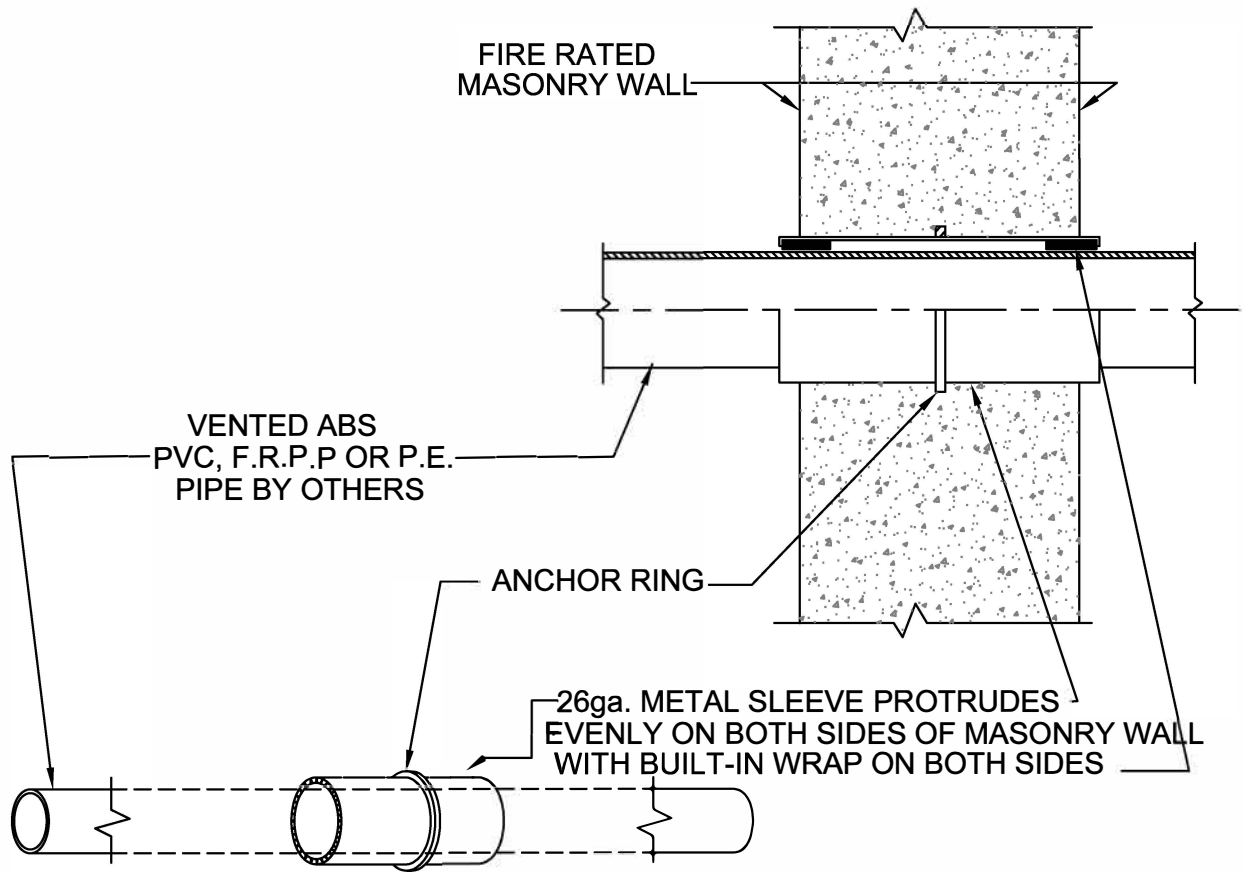


SELF SEAL WALL SLEEVE

FOR MASONRY BLOCK WALLS



IMPORTANT NOTES :

1. Brick layer to set the sleeve in the desired location and mud the sleeve in to either flush with the face of the wall or centered in the wall.
2. Insert the pass through pipe through the sleeve. Pipe should be supported on both sides of the wall.

NOTE: See drawing A-1011-G for installation for PVC/CPVC pressure pipe.
See drawing C-9049-D for installation through a cored hole.



W.H. Directory Reference 01 Edition
Firestop Device
W.H. Design No. PS/PHV 180-03
F Rating 3 Hrs.



PROSET[®]
SYSTEMS
FIRESTOP PENETRATOR™

DATE :

5-31-21

DRG . NO .
C-9049-G