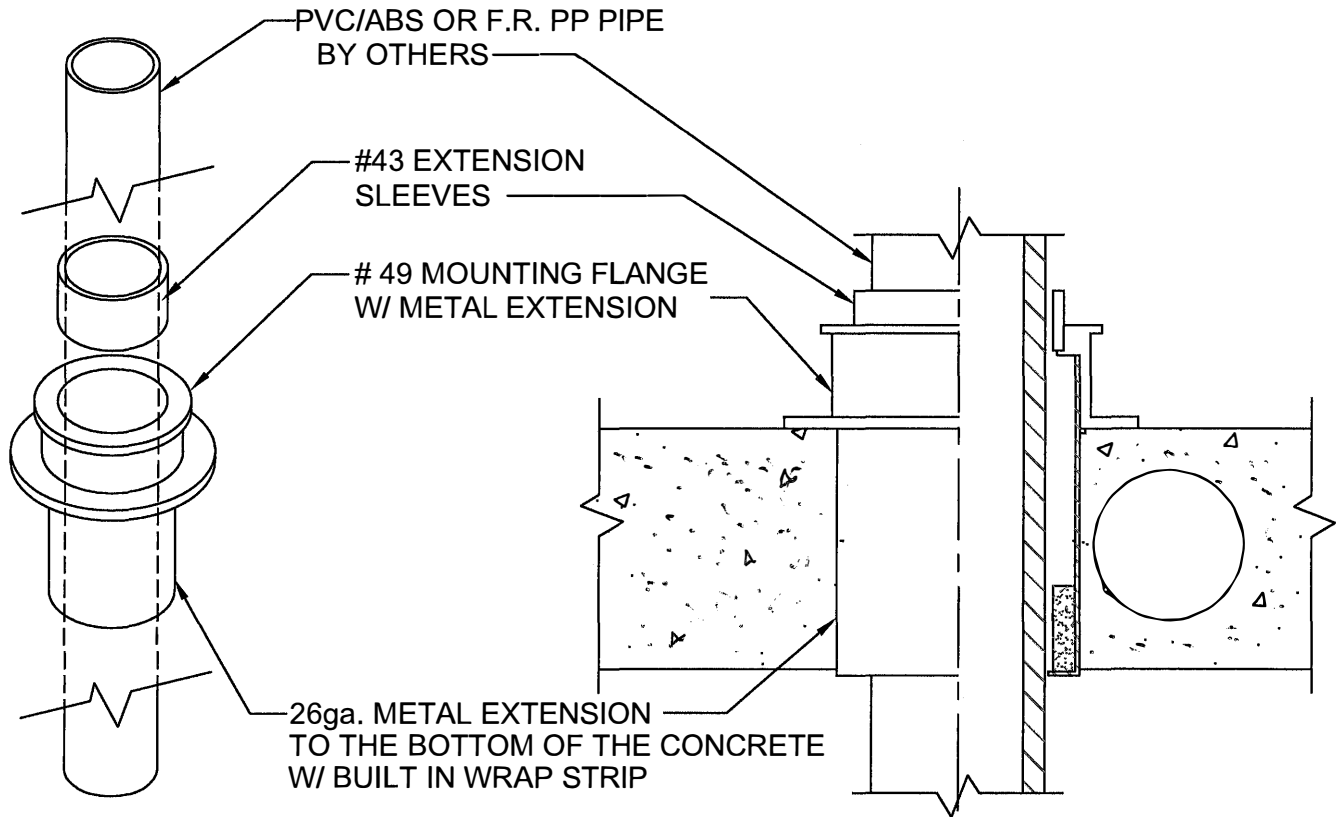


Waterproof Cored Hole Sleeve Assembly

CORED CONCRETE THROUGH HOLLOW CORE
FOR FLOORS



Size	Part No.	Description	Price	Core Size
2"	P25498-G-CHE	2" Cored Hole CHE Assembly	20.90	3"
3"	P35498-G-CHE	3" Cored Hole CHE Assembly	35.75	4 1/2"
4"	P45498-G-CHE	4" Cored Hole CHE Assembly	50.55	6"
6"	P65498-B-CHE	6" Cored Hole CHE Assembly	80.50	9"
	A06214	6" Riser Clamp Assembly	7.45	

Units have a 8", 10" and more metal extension below the Mounting Flange.

When ordering, insert desired length instead of H. (ie) P354910-CHE = 10" long part.



W.H. Directory Reference 98 Edition
Firestop Device
W.H. Design No. PS/PHV 180-03
F Rating 2 Hrs.



PROSET[®]
SYSTEMS
FIRESTOP PENETRATOR™

DATE :
05-31-21

DRG . NO .
C-9049-DWPp