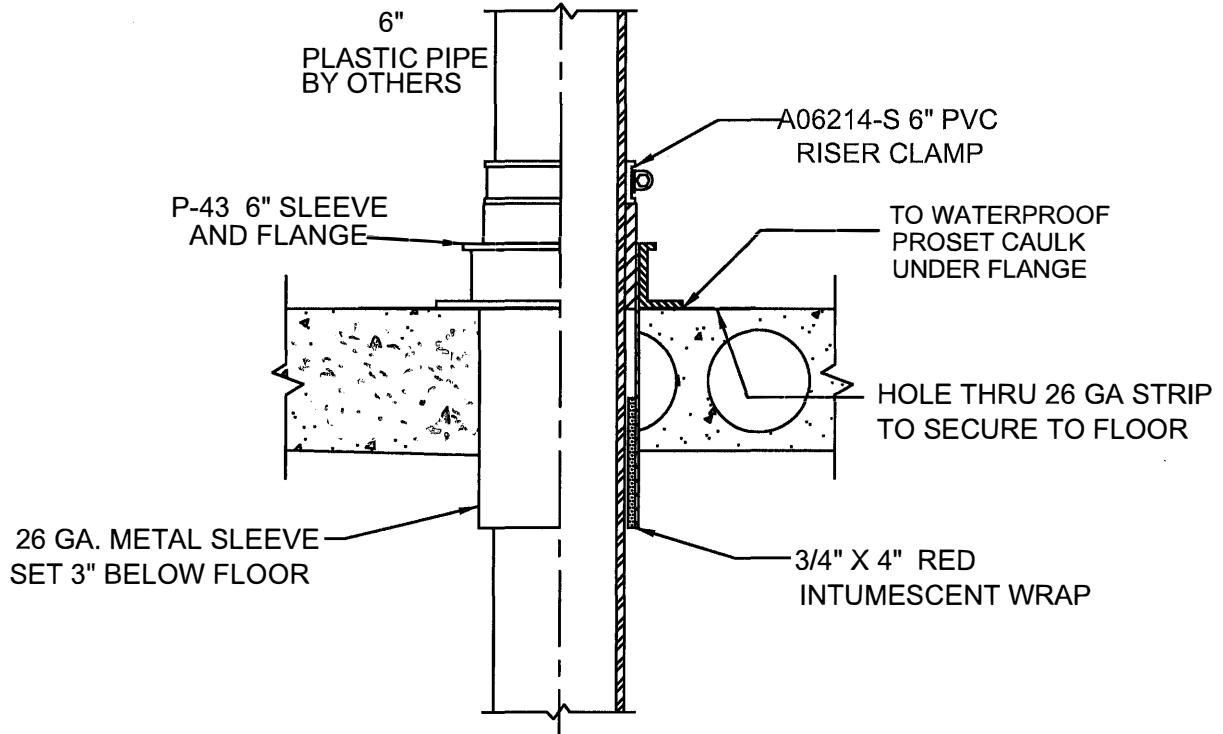


Self Seal 6" Stack Assembly

CORED THROUGH EXISTING OR HOLLOWCORE
CONCRETE FOR FLOORS



IMPORTANT NOTES :

1. Core a 9" hole completely through the concrete floor.
2. Insert the metal sleeve through the hole to extend 3" below the bottom of the concrete floor.
3. Secure both strips through the predrilled holes to secure the metal sleeve to the concrete floor .
4. Insert the 6" PVC pass through pipe through the #43 mouting flange and sleeve.
5. ProSet's adhesive caulking can be used on the bottom of flange to waterproof the hole.
6. After passing the pipe through, tighten the ProSet Riser Clamp to secure the pipe to the sleeve.



W.H. Directory Reference 11 Edition
Firestop Device
W.H. Design No. PS/PH 180-05
F Rating 3 Hrs.



PROSET[®]
SYSTEMS
FIRESTOP PENETRATOR™

DATE :

5-31-21

DRG . NO .

C-9049-D6