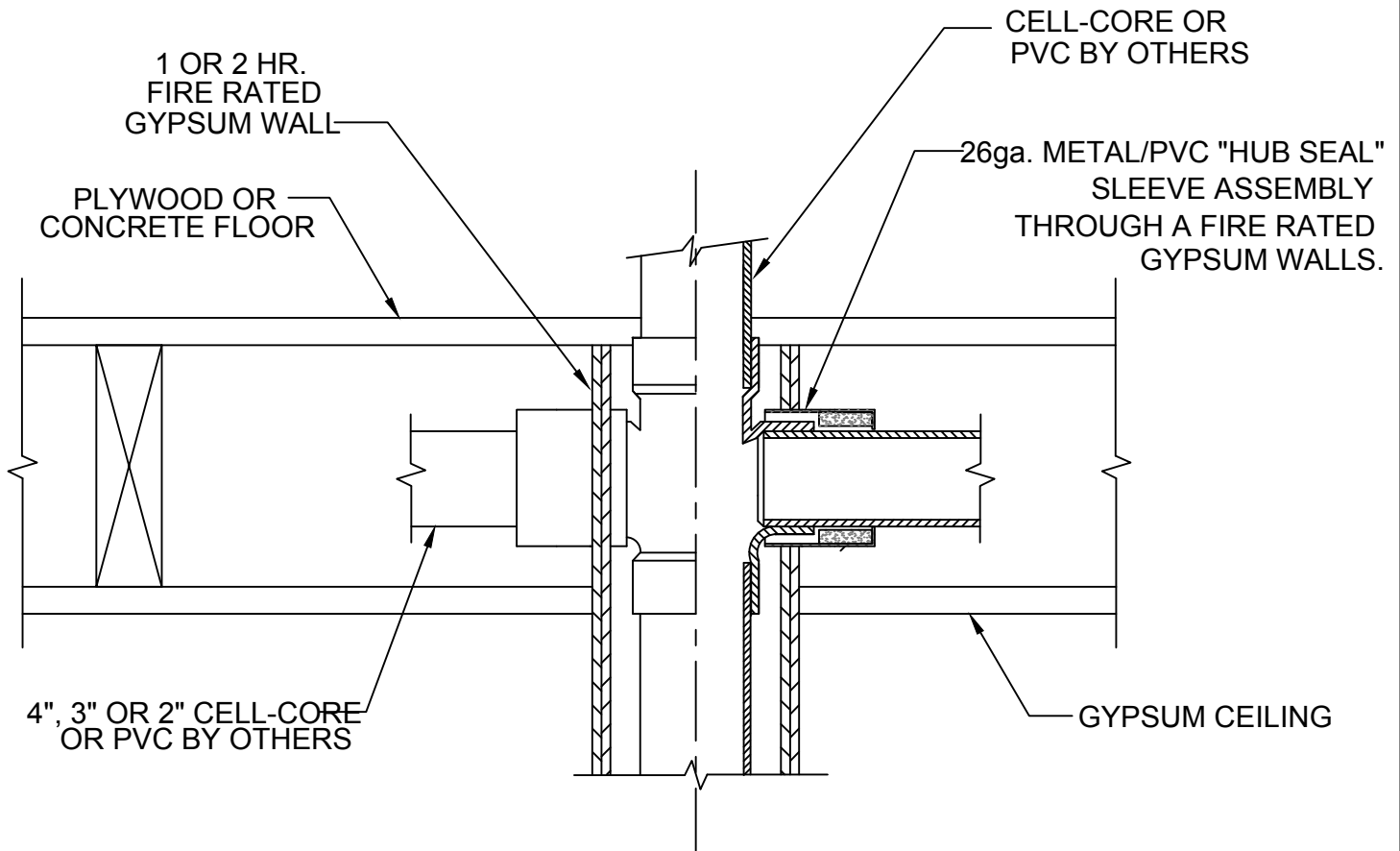



FIRE RATED WALL PENETRATIONS FOR PVC PIPE

FOR FITTING HUB POKE-OUTS THROUGH GYPSUM OR MASONARY WALLS



Hub Size	Part No.	Description	Price
2"	S25494-WS	2" Hub Seal Sleeve	12.75
3"	S35494-WS	3" Hub-Seal Sleeve	26.65
4"	S45494-WS	4" Hub-Seal Sleeve	40.30


 W.H. Directory Reference 01 Edition
 Firestop Device
 W.H. Design No. PS/PV 120-06
 F Rating 1 or 2 Hrs.



PROSET[®]
SYSTEMS
 FIRESTOP PENETRATOR™

DATE :
 5-31-21
 DRG . NO .
 C-8118-F