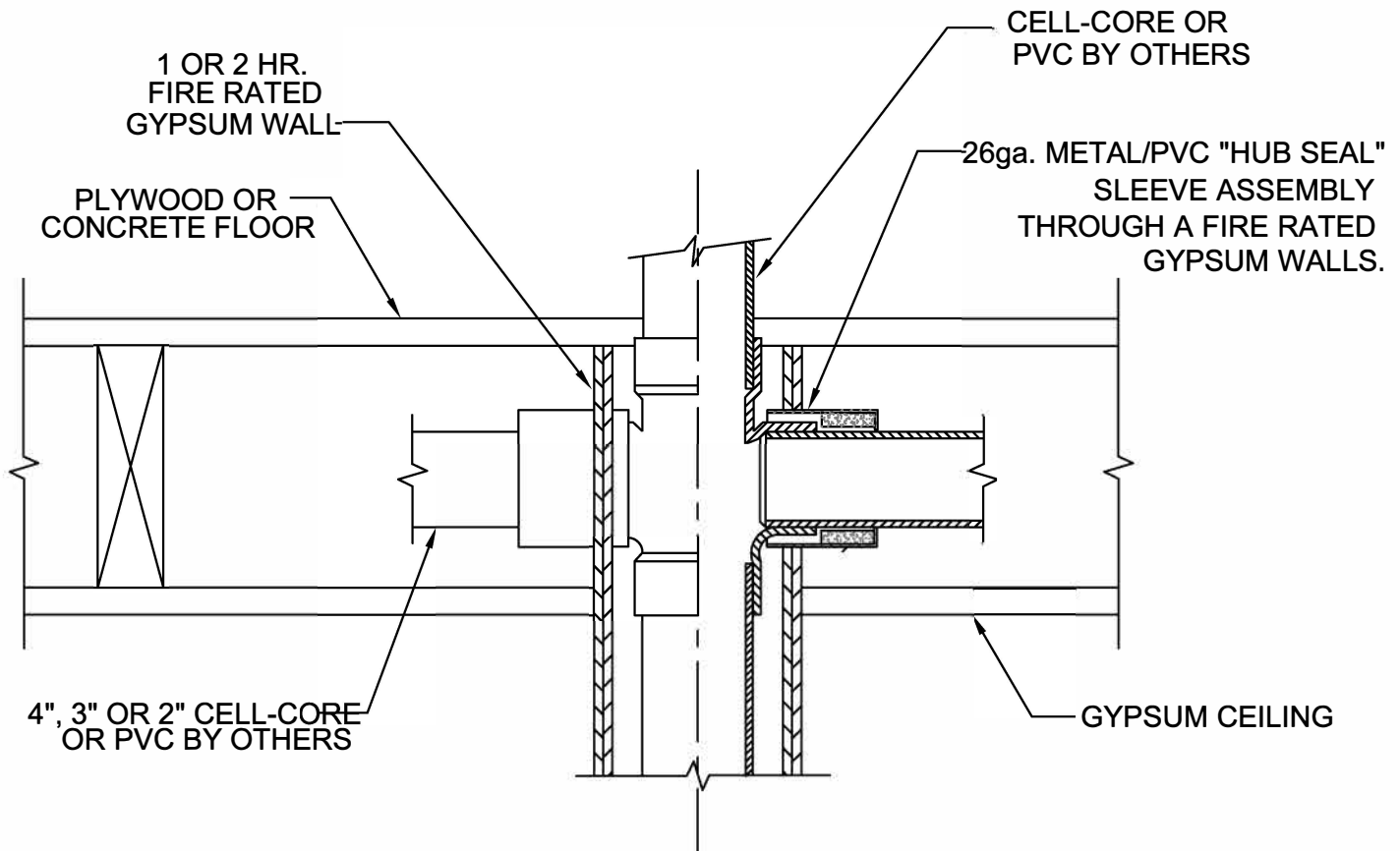


FIRE RATED WALL PENETRATIONS FOR PVC PIPE

FOR FITTING HUB POKE-OUTS THROUGH GYPSUM OR MASONARY WALLS



IMPORTANT NOTES:

1. Insert the 26 ga. 4", 3" or 2" Metal / PVC "Hub Seal" Sleeve around the hub extension to the branch portion of the 4", 3" or 2" PVC tee or cross fitting.
2. After properly aligning the Hub Seal Sleeve on the fitting, secure the metal sleeve to the tee or cross by solvent cementing the inside PVC Ring to the PVC hub fitting.
3. After properly securing the Hub Seal Sleeve to the PVC Tee or Cross, the vertical stack and the the branch piping can be completed.
4. The gypsum wall is then installed around the Hub Seal Sleeve without a return trip after the completion of the drywall by the plumber.
5. The hole around the Hub Seal Sleeve must be tightly fitted by the drywall installer. Gaps up to 1/4" can be filled in with drywall cement. Larger gaps use a silicone fire rated caulk.



W.H. Directory Reference 01 Edition
Firestop Device
W.H. Design No. PS/PV 120-06
F Rating 1 or 2 Hrs.



PROSET[®]
SYSTEMS
FIRESTOP PENETRATOR™

DATE :
5-31-21

DRG . NO .
C-8118-F