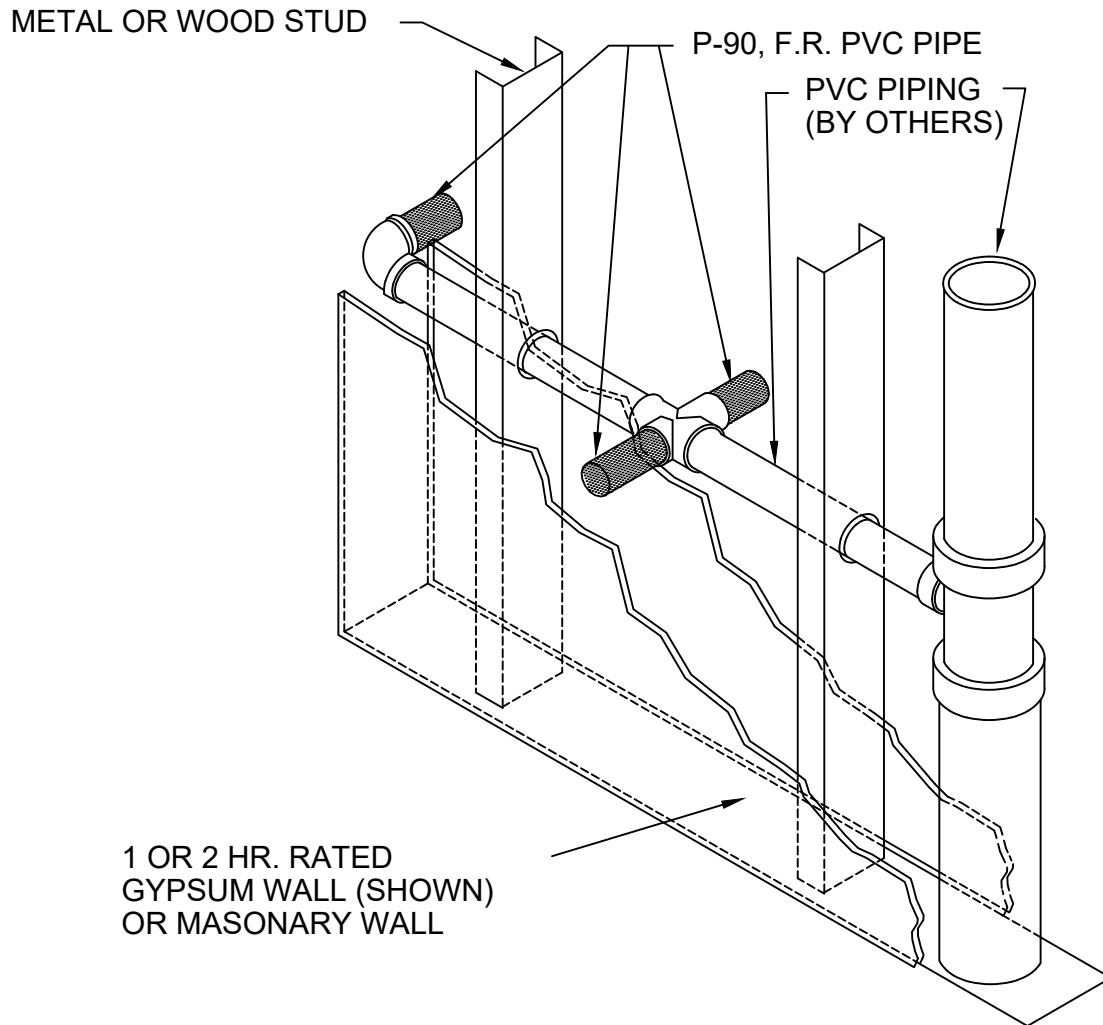


# LAV & SINK FIRE RATED STUB-OUTS

FOR POKING OUT OF GYPSUM OR MASONARY WALLS



Size	Part No.	Description	Price	Unit Total
1 1/2"	P1 1/2-90	Fire rated PVC pipe	3.15 FT	
1 1/2"	P1 1/2-90	Cost of 6" poke-out	1.60 EA.	



W.H. Directory Reference 99 Edition  
Firestop Device  
W.H. Design No. PS/PV 120-02  
F Rating 2 Hrs.



**PROSET**<sup>®</sup>  
**SYSTEMS**  
FIRESTOP PENETRATOR™

DATE :  
05-31-21  
DRG . NO .  
C-8112-Fp