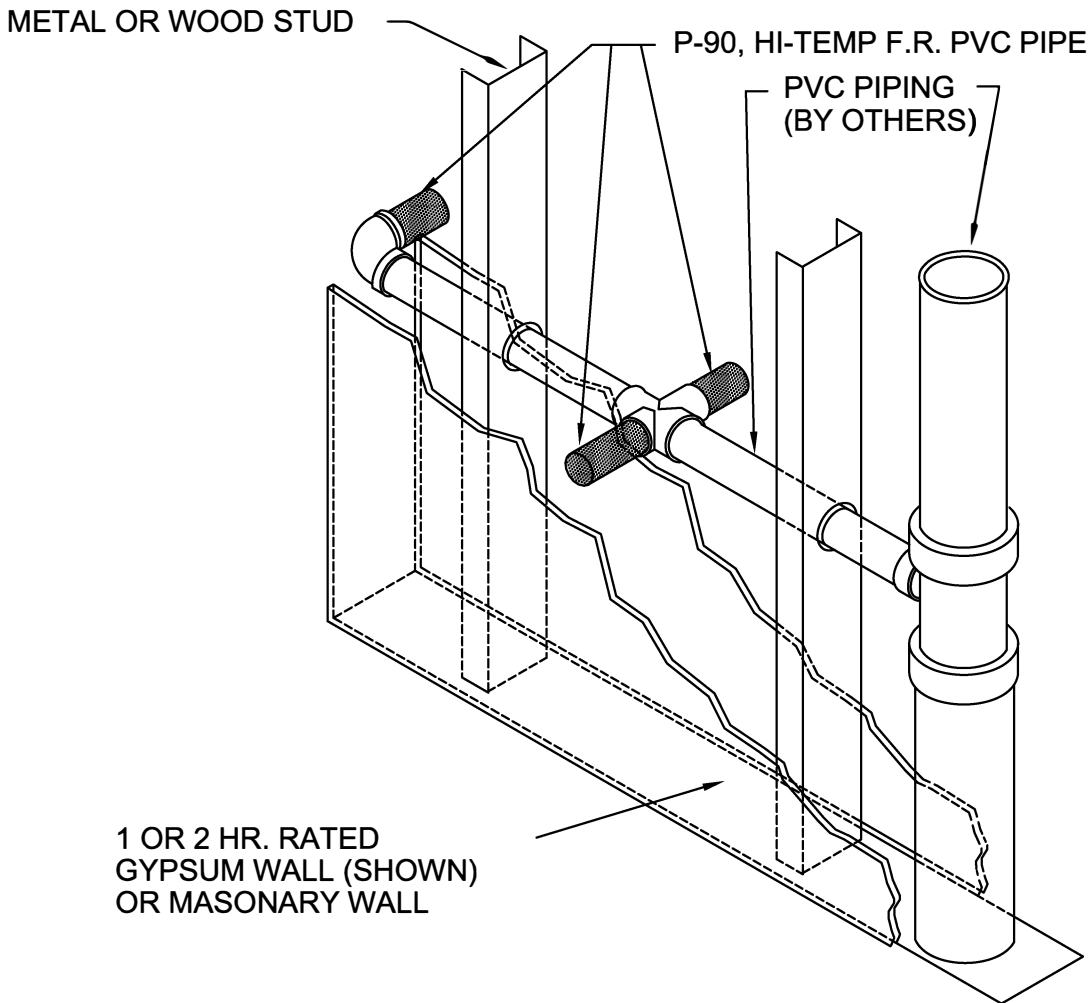


LAV & SINK FIRE RATED STUB-OUTS

FOR POKING OUT OF GYPSUM OR MASONARY WALLS



IMPORTANT NOTES :

1. When stubing out of a fire rated wall, use ProSet's P-90 Hi-temp PVC Stub-Out for lavs & sinks.
The stub-out pipe is supported by securely connecting to the connecting trap and lav. or sink fixture.
3. Regular drywall cement can be used to seal the opening around the gypsum wall opening and the Stub Out.
4. The same installation can be made through a masonry wall, using masonry grout to seal the stub out.



W.H. Directory Reference 99 Edition
Firestop Device
W.H. Design No. PS/PV 120-02
F Rating 2 Hrs.



PROSET[®]
SYSTEMS
FIRESTOP PENETRATOR™

DATE :

5-31-21

DRG. NO.

C-8112-F