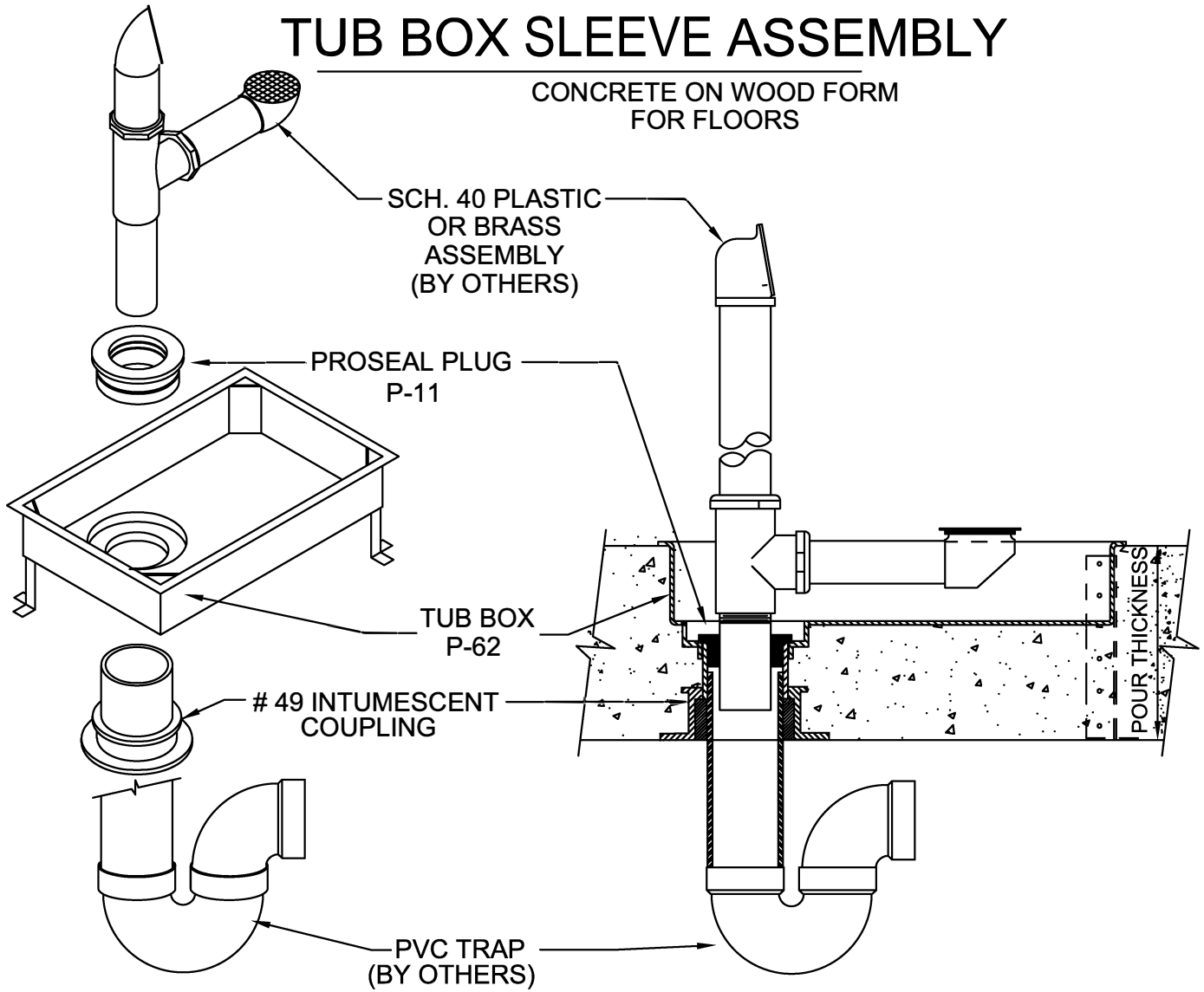



# TUB BOX SLEEVE ASSEMBLY

CONCRETE ON WOOD FORM  
FOR FLOORS



Size	Part No.	Description	Price	Unit Total
2"	P2562H-SSW	2" Tub Box assembly	26.95	29.90
2"	P2562H-1EF-SSW	2" Tub Box W/1" Extra Foam	31.40	34.35
2"	C25661 or C25662	Bushing 1 1/2" pipe or tube	2.95	


 W.H. Directory Reference 04 Edition  
 Firestop Device  
 W.H. Design No. PS/PHV 180-03  
 F Rating 3 Hrs.



**PROSET**<sup>®</sup>  
**SYSTEMS**  
 FIRESTOP PENETRATOR™

DATE :  
 5-31-21  
 DRG . NO .  
 C-6212-SSWp