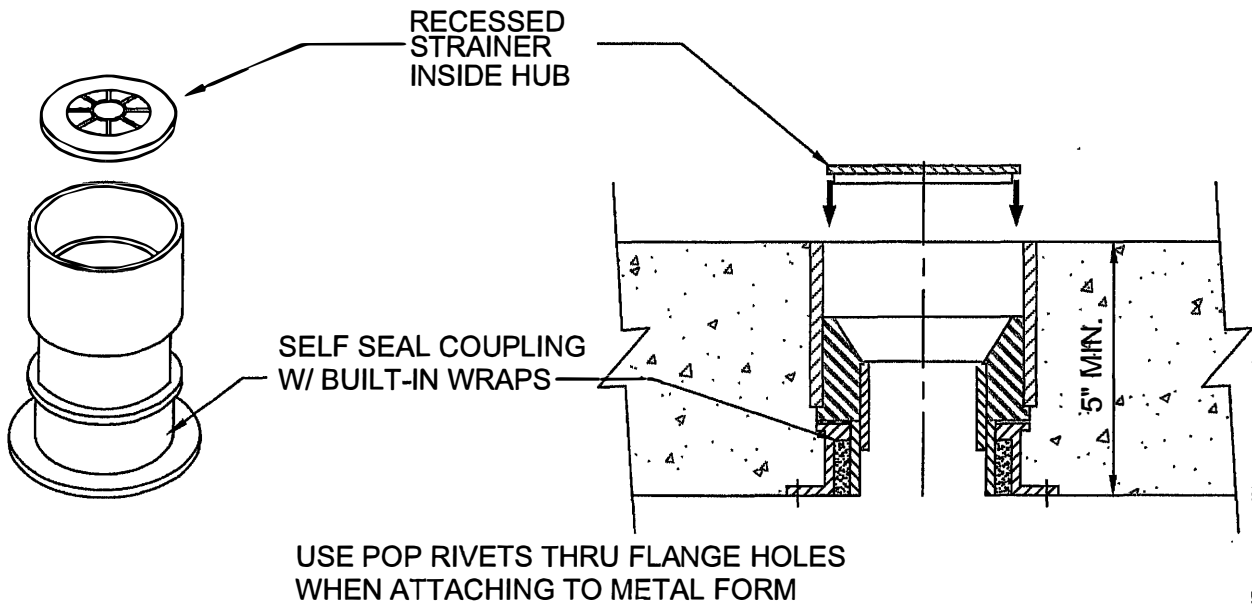


HUB/FLOOR COMBO DRAIN

CONCRETE ON WOOD OR STEEL FORM
FOR UTILITY ROOM FLOORS



STRAINER CAN BE FLUSH WITH FLOOR FOR FLOOR DRAIN OR
RECESSED 1-1/4" INTO HUB FOR COMBO HUB/FLOOR DRAIN

Size	Part No.	Description	Price
2"	P23FHDRS-SSW	2" X 3" Hub Drain w/ recess strainer & wrap	29.35
2"	P24FHDRS-SSW	2" X 4" Hub Drain w/ recess strainer & wrap	37.85
2"	P23FHDS-SSW	2" X 3" Hub Drain w/ strainer & wrap	29.35
2"	P24FHDS-SSW	2" X 4" Hub Drain w/ strainer & wrap	37.85
2"	P23FHD-SSW	2" X 3" Hub Drain & wrap	26.05
2"	P24FHD-SSW	2" X 4" Hub Drain & wrap	33.60



W.H. Directory Reference 01 Edition
Firestop Device
W.H. Design No. PS/PH 120-07
F Rating 2 & 3 Hrs.



PROSET[®]
SYSTEMS
FIRESTOP PENETRATOR™

DATE :

05-31-21

DRG . NO .

C-6123-Ap