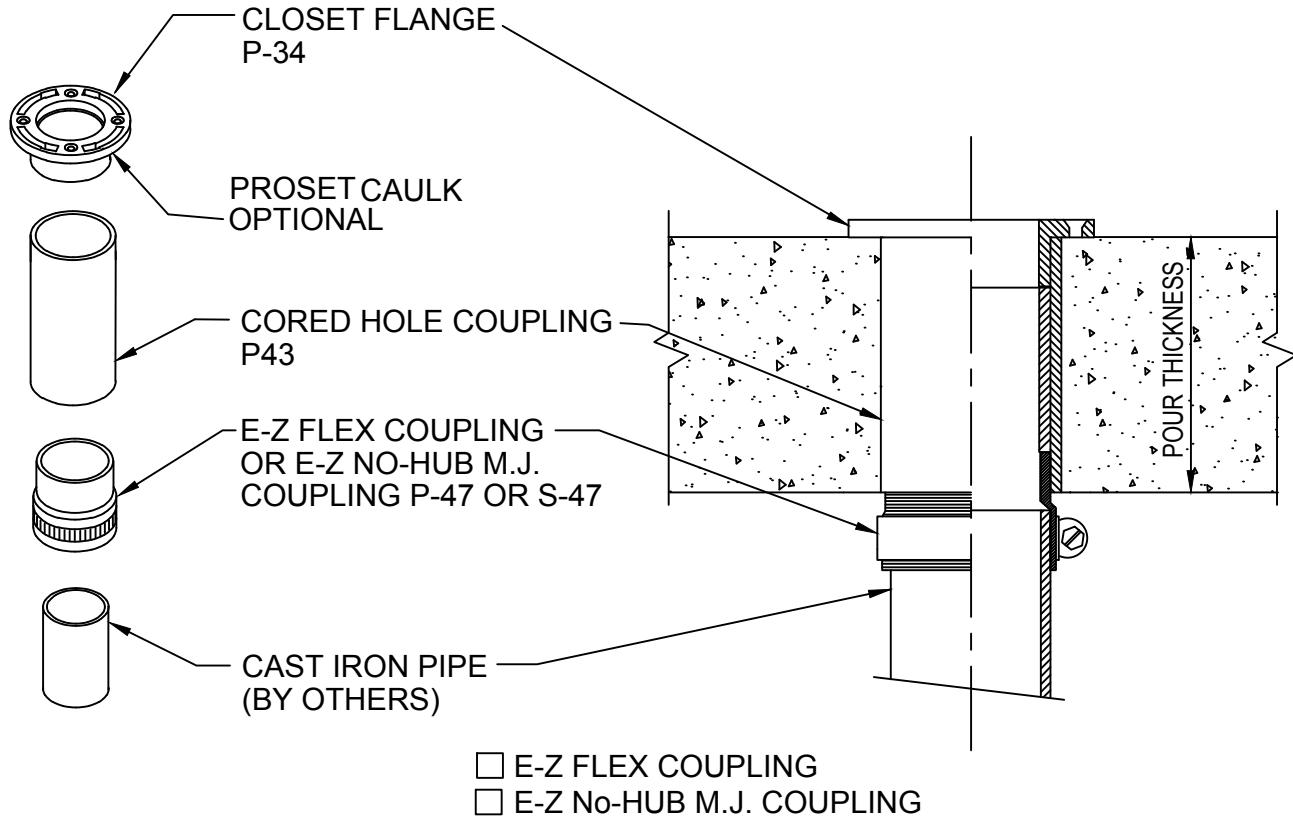


PROSEAL CLOSET STUB

CORED HOLES OR EXISTING CONCRETE



Size	Part No.	Description	Price
3"	P3534H-CH-EZ	3" x H" Closet Flange	21.10
4"	P4534H-CH-EZ	4" x H" Closet Flange	22.90
11 oz.	Tube A81155	Adhesive Caulking	7.60 OPTIONAL



W.H. Directory Reference 01 Edition
 Firestop Device
 W.H. Design No. PS/PH 120-15
 F Rating 2 & 3 Hrs.



PROSET[®]
SYSTEMS
 FIRESTOP PENETRATOR™

DATE :
 8-01-18
 DRG . NO .
 B-3401-D