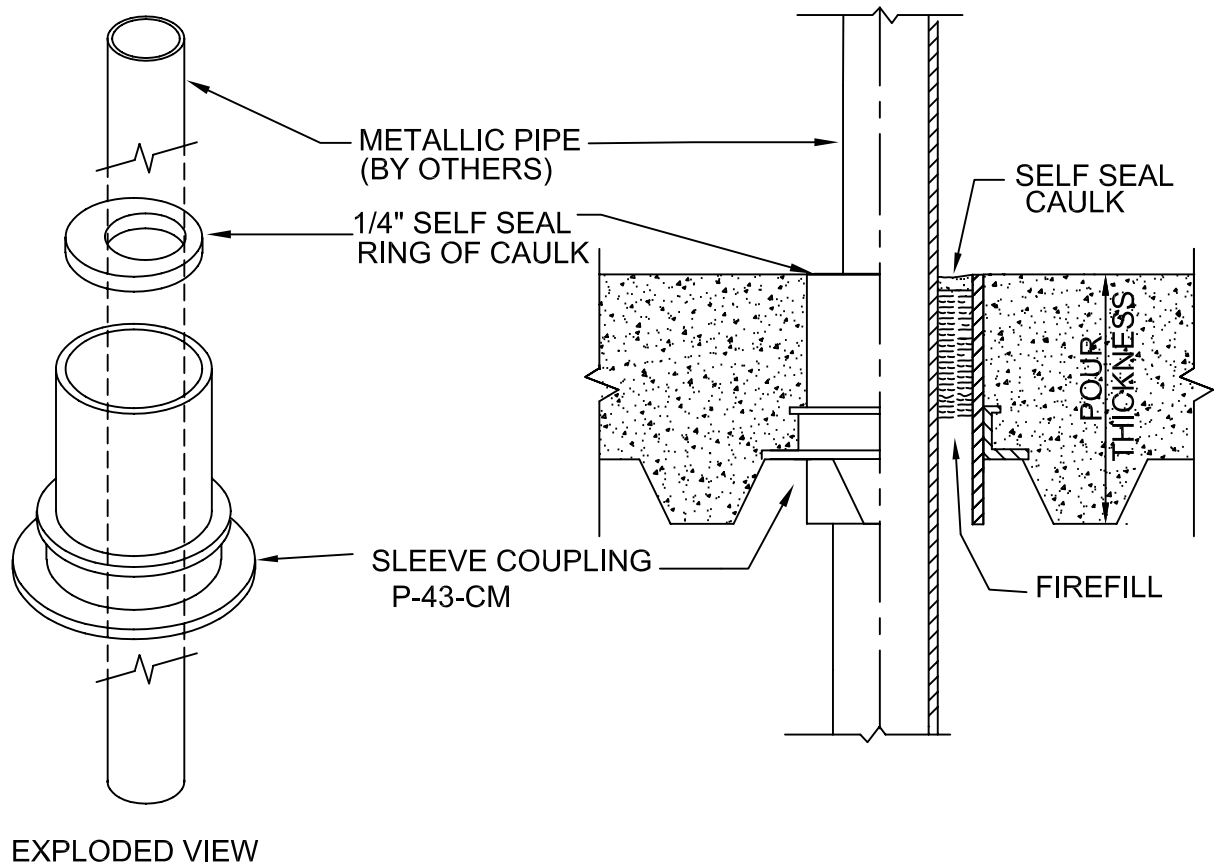


# LARGE METALLIC PIPE SLEEVE ASSEMBLY

FOR CORRUGATED CONCRETE FLOORS



## IMPORTANT NOTES :

1. Use sheet metal screws through the #43 mounting flange to attach the PVC sleeve to the deck.
2. After the concrete is poured, remove the concrete protective cap.
3. Pass the large size 8" or 10" metallic pipe through the embedded concrete PVC sleeve.
4. The pass through pipe can be off center from 1/4" min. to 1-1/4" max.
5. Fill the void between the pipe and the sleeve, from the top with ProSet's F10450 Firefill 4" thick and a min. 1/4" ProSet Self Seal Caulk seal on the top.

W.H. Directory Reference 99 Edition  
Firestop Device  
W.H. Design No. PS/PHV 180-05  
F Rating 3 Hrs



**PROSET**<sup>®</sup>  
**SYSTEMS**  
FIRESTOP PENETRATOR™

DATE :  
1-10-06

DRG . NO .  
A-1020-C