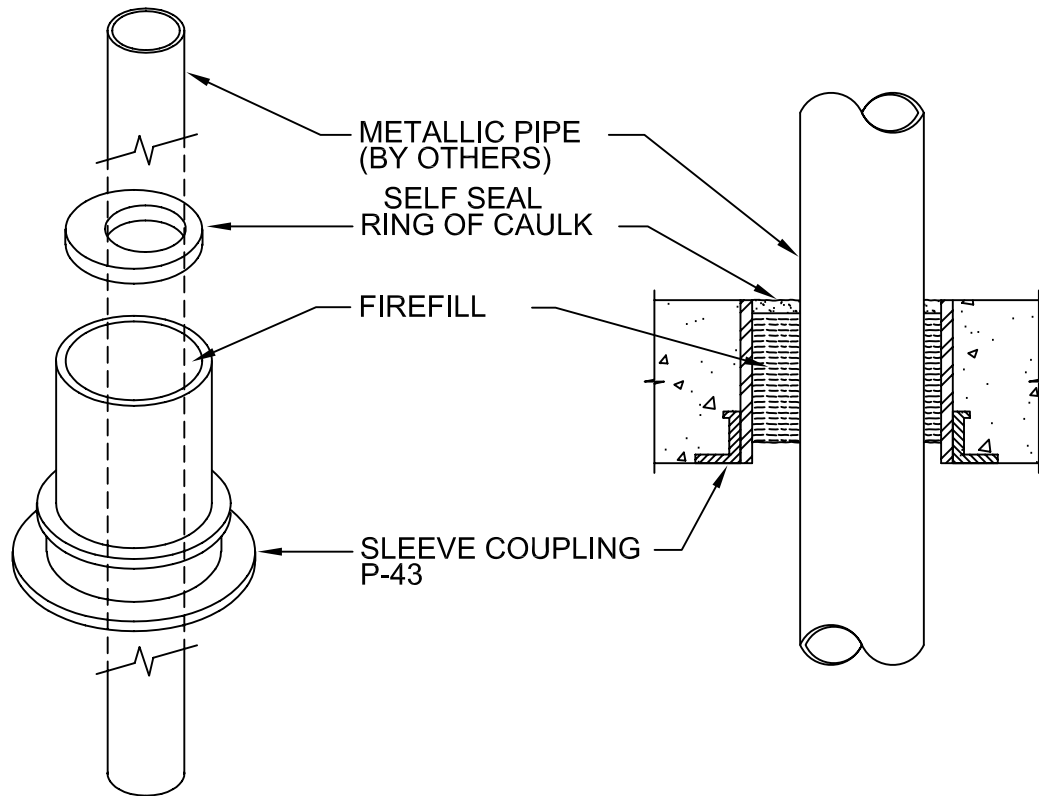


LARGE METALLIC PIPE SLEEVE ASSEMBLY

FOR CONCRETE FLOORS AND WALLS



EXPLODED VIEW

Size	Part No.	Description	Price	Unit Total
6"	P8543H-A	8" PVC Sleeve Pipe	20.25	29.65
8"	P10543H-A	10" PVC Sleeve Pipe	25.30	32.80
10"	P12543H-A	12" PVC Sleeve Pipe	31.05	43.15
11oz.	A81160	Firestop Caulking	16.00	Included in unit total
20lbs.	F10450	Firefill Ceramic Fill	82.80	Included in unit total

A various portion of above two items are used to fill void within sleeve.



W.H. Directory Reference 99 Edition
Firestop Device
W.H. Design No. PS/PHV 180-05
F Rating 3 Hrs



PROSET[®]
SYSTEMS
FIRESTOP PENETRATOR™

DATE :

1-10-06

DRG . NO .

A-1020-AP