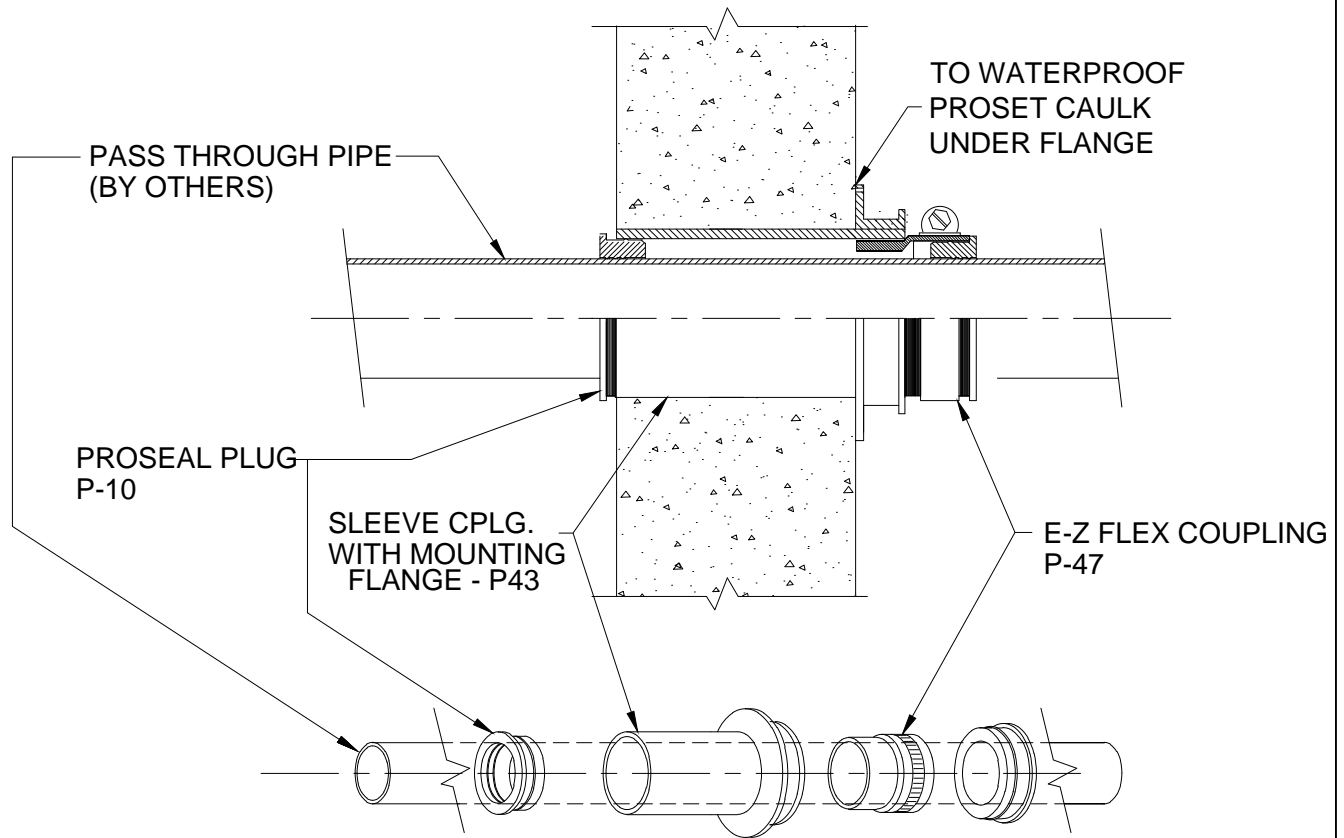


WATERPROOF PIPE PENETRATION

FOR PASSING THROUGH EXTERIOR WALLS



Size	Part No.	Description	Price	Unit Total	Size	Part No.	Description	Price	Unit Total
1/2"	P2543H-RCHE	2" Sleeve Coupling	13.40		3"	P4543H-R-CHE	4" Sleeve Coupling	18.90	
	P25470	2" E-Z Flex	4.00			P45470	4" E-Z Flex	5.50	
1/2"	C20012	1/2" ProSeal Plug	2.40	or		C40300	3" ProSeal Plug	6.70	31.10
3/4"	C20034	3/4" ProSeal Plug	2.40	or	4"	P6543H-R-CHE	6" Sleeve Coupling	28.50	
1"	C20100	1" ProSeal Plug	2.40	or		P65470	6" E-Z Flex	18.60	
1 1/4"	C20114	1 1/4" ProSeal Plug	2.40	or		P60400	4" ProSeal Plug	8.85	
1 1/2"	C20112	1 1/2" ProSeal Plug	2.40						55.95
				19.80	5"	P6543H-R-CHE	6" Sleeve Coupling	28.50	
2"	P3543H-R-CHE	3" Sleeve Coupling	16.30			P65470	6" E-Z Flex	18.60	
	P35470	3" E-Z Flex	4.40			P60500	5" ProSeal Plug	8.85	
	C30200	3"x2" ProSeal Plug	5.50						55.95
				26.20					
2 1/2"	P4543H-R-CHE	4" Sleeve Coupling	18.90						
	P45470	4" E-Z Flex	5.50						
	C40212	2 1/2" ProSeal Plug	6.70						
				31.10					

CORE 2-3/4" FOR 2" - 4" FOR 3" - 5" FOR 4" - 7-1/2" FOR 6"

W.H. Directory Reference 97 Edition
Firestop Device
For waterproofing Only
F Rating 2 Hrs.



PROSET[®]
SYSTEMS
FIRESTOP PENETRATOR™

DATE :
10-05-15
DRG . NO .
A-1018-DGR