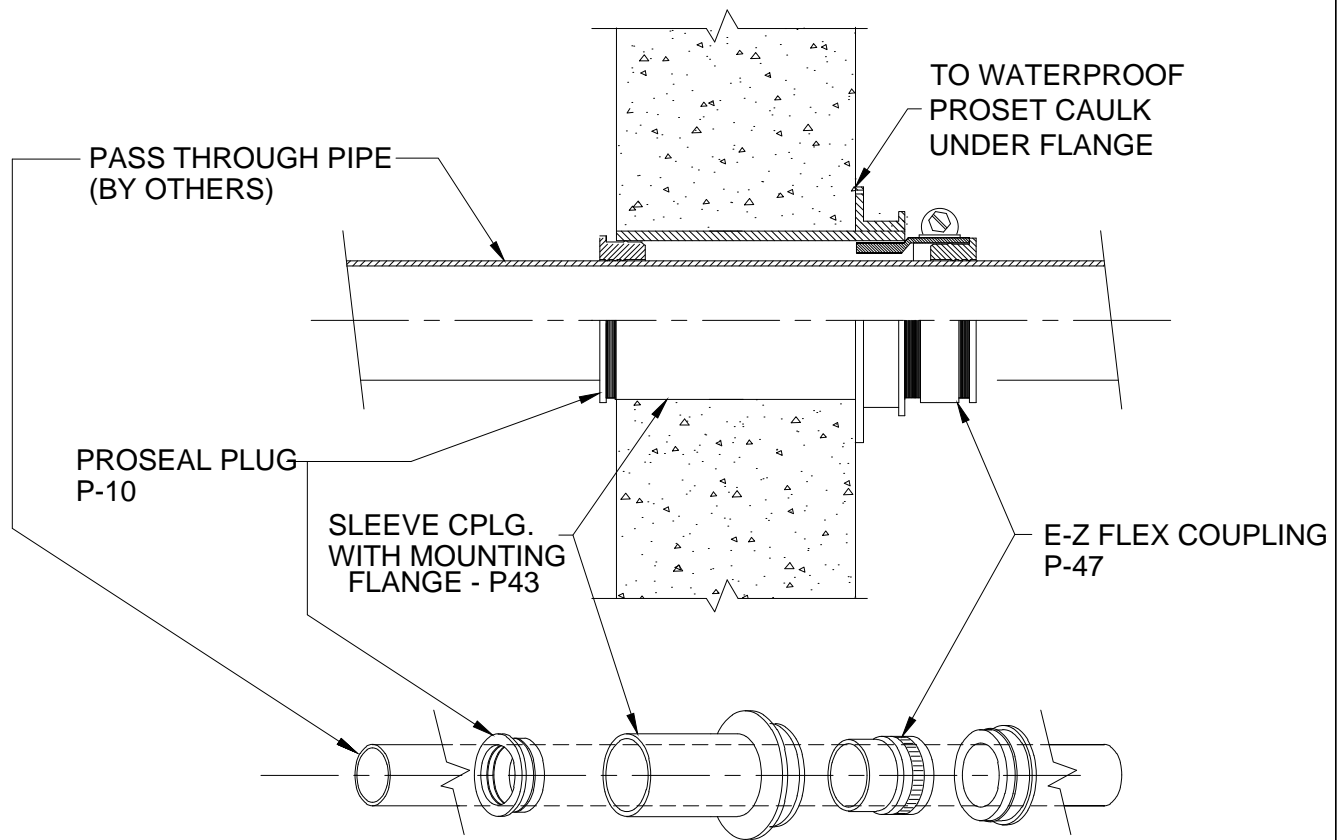


# WATERPROOF PIPE PENETRATION

FOR PASSING THROUGH EXTERIOR WALLS



## IMPORTANT NOTES :

1. Insert the sleeve coupling into the cored hole after using ProSet caulk around the flange..
2. Anchor mounting flange to the concrete through the holes in the flange..
3. Insert & Solvent cement the E-Z Flex couplings into one or both sides of the coupling.
4. Insert the pass through pipe through the sleeve and install the split ProSeal Plugs around the pipe into the E-Z Flex couplings, tighten down on the clamp worm to seal and waterproof the penetration.

Note: Use ProSet's Special Solvent Cement to join the flexible coupling into the rigid fitting.



W.H. Directory Reference 97 Edition  
Firestop Device  
For waterproofing Only  
F Rating 2 Hrs.



**PROSET**<sup>®</sup>  
**SYSTEMS**  
FIRESTOP PENETRATOR™

DATE :

4-7-15

DRG . NO .

A-1018-DGR