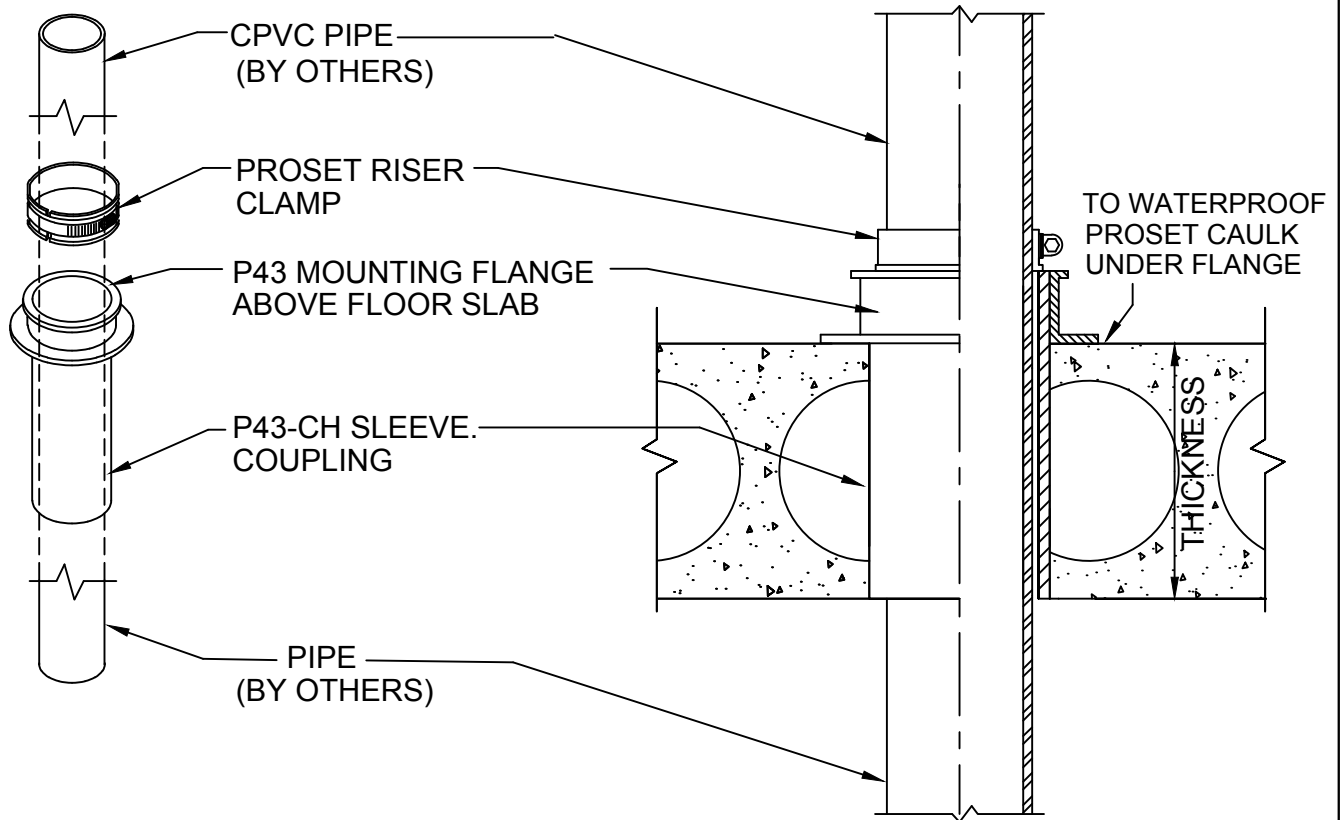


WATERPROOF RISER CLAMP DEVICE

PRECAST CONCRETE OR EXISTING CONCRETE
FOR FLOORS



Size	Part No.	Description	Price	Unit Total	Core Size
2"	P2543H-B or G-CHE A02214	2" Sleeve Coupling 2" Riser Clamp	6.95 2.95	9.90	2 3/4"
2 1/2"	P3843H-CHE A03212	2 1/2" Sleeve Coupling 2 1/2" Riser Clamp	11.00 3.85	14.85	4"
3"	P3543H-B or G-CHE A03214	3" Sleeve Coupling 3" Riser Clamp	9.60 3.30	12.90	4"
4"	P4543H-B or G-CHE A04214	4" Sleeve Coupling 4" Riser Clamp	11.90 4.15	16.05	5"
5"	P6843H-CHE A05214	5" Sleeve Coupling 5" Riser Clamp	21.00 7.25	28.25	7-1/2"
6"	P6543H-B-CHE A06214	6" Sleeve Coupling 6" Riser Clamp	17.80 6.75	24.55	7-1/2"

Use "B" Black letter sleeve pipe for cast iron, glass or steel or "G" Green for copper or plastic
Use suffix CU for copper -CI for cast iron -S for steel pipe when ordering Riser Clamps.



W.H. Directory Reference 97 Edition
Firestop Device
W.H. Design No. PS/PHV 120-05
F Rating 2 Hrs.



PROSET[®]
SYSTEMS
FIRESTOP PENETRATOR™

DATE :
8-01-18

DRG . NO .
A-1015-DWP