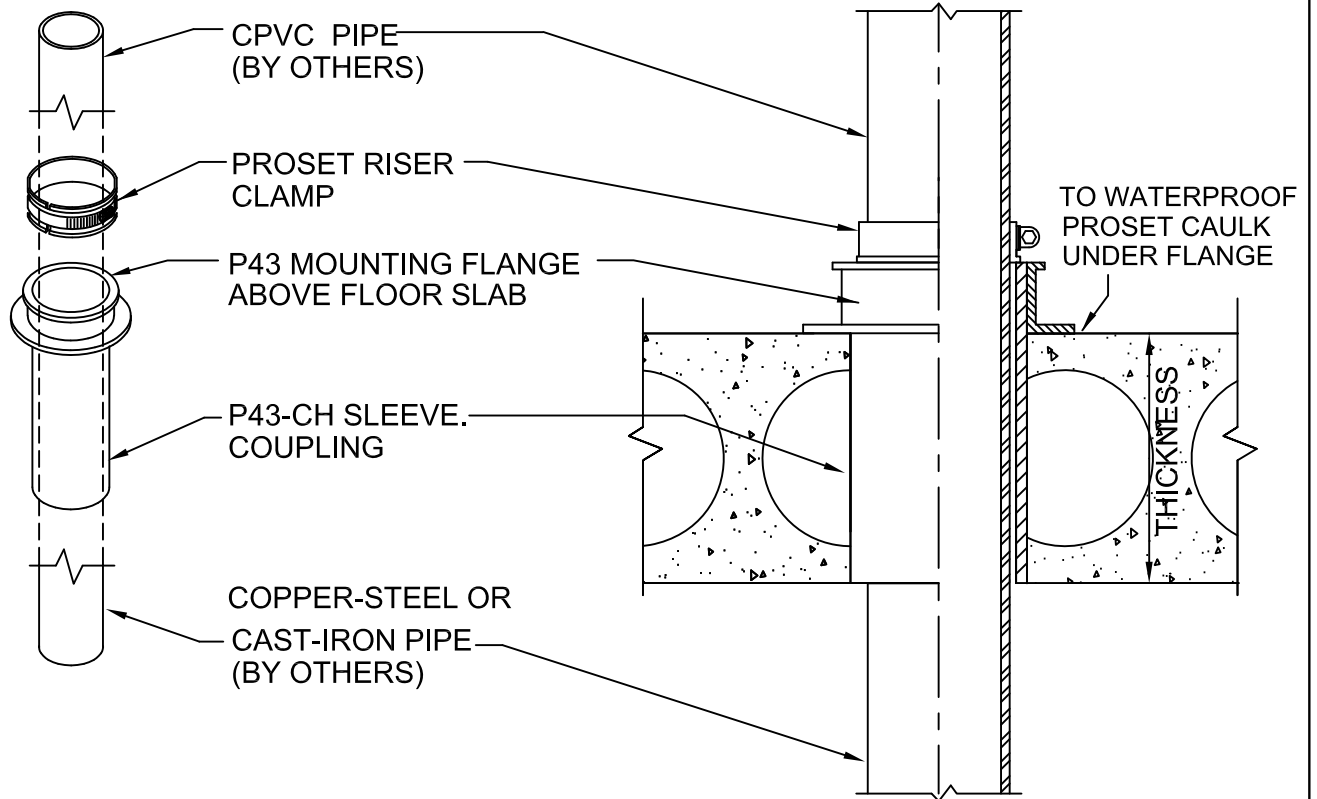


# WATERPROOF PASS THROUGH SLEEVE

PRECAST CONCRETE OR EXISTING CONCRETE  
FOR FLOORS



## IMPORTANT NOTES :

1. Core a 2 3/4" hole for 2" - 4" hole for 3" - 5" hole for 4" - 7-1/2" for 6".
2. Install a bead of ProSet Caulk under the flange before inserting into the hole.
3. The flange can be secured to the floor through the predrilled holes.
4. Insert the pass through pipe through the coupling.
5. Install riser clamp around the pipe to support and draft stop.
6. When ordering riser clamp - Use suffix S for plastic pipe.
7. Use Green letter Sleeves for plastic pipe.



W.H. Directory Reference 97 Edition  
Firestop Device  
W.H. Design No. PS/PHV 120-05  
F Rating 3 Hrs.



**PROSET**<sup>®</sup>  
**SYSTEMS**  
FIRESTOP PENETRATOR™

DATE :

1-1-13

DRG. NO.

A-1015-DWP