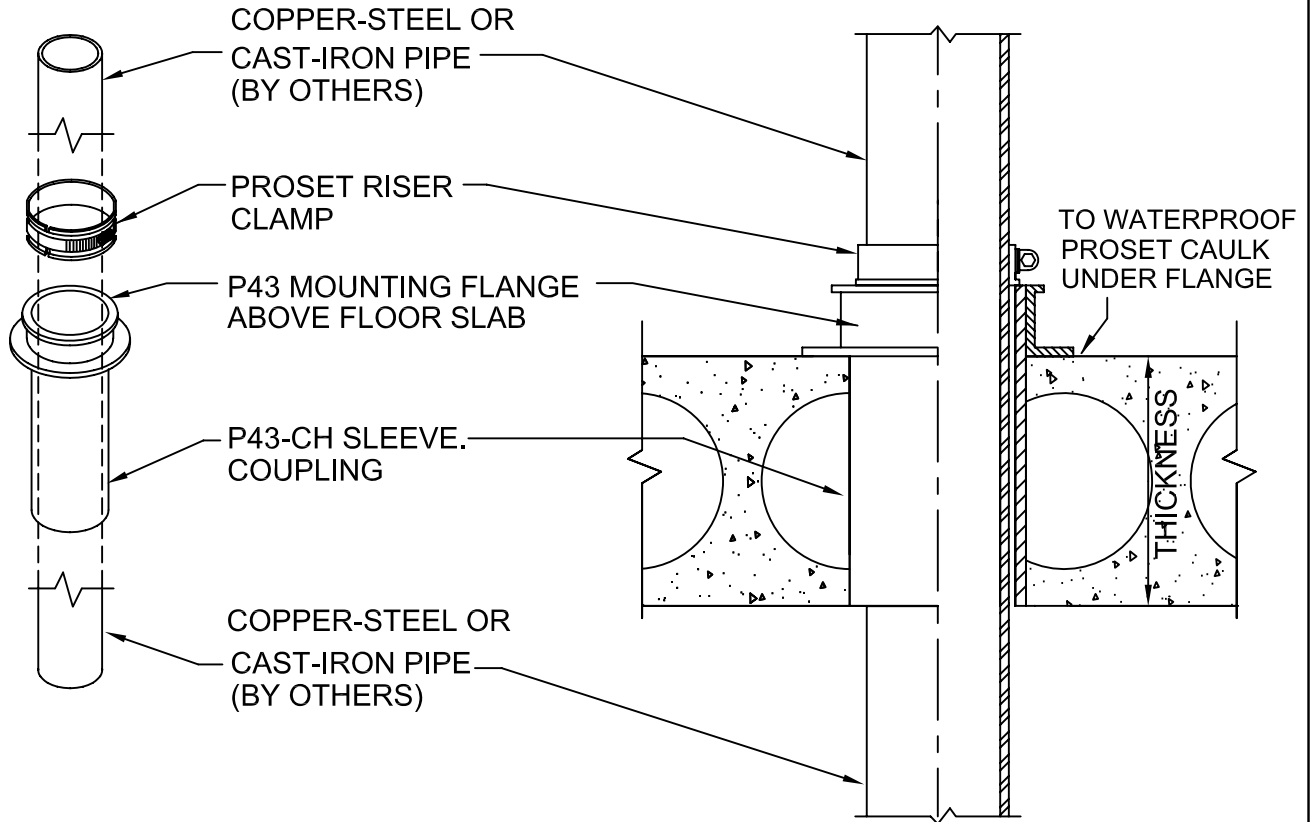


WATERPROOF PASS THROUGH SLEEVE

PRECAST CONCRETE OR EXISTING CONCRETE
FOR FLOORS



IMPORTANT NOTES :

1. Core a 2 3/4" hole for 2" - 4" hole for 3" - 5" hole for 4" - 7-1/2" for 6".
2. Install a bead of ProSet Caulk under the flange before inserting into the hole.
3. The flange can be secured to the floor through the predrilled holes.
4. Insert the pass through pipe through the coupling.
5. Install riser clamp around the pipe to support and draft stop.
6. When ordering riser clamp - Use suffix CU for copper - CI for cast iron or S for steel pipe.
7. Use Black letter Sleeves for steel or cast iron pipe and Green letter for copper pipe.



W.H. Directory Reference 97 Edition
Firestop Device
W.H. Design No. PS/PHV 180-01
F Rating 3 Hrs.



PROSET[®]
SYSTEMS
FIRESTOP PENETRATOR™

DATE :
1-10-06
DRG . NO .
A-1014-DWP