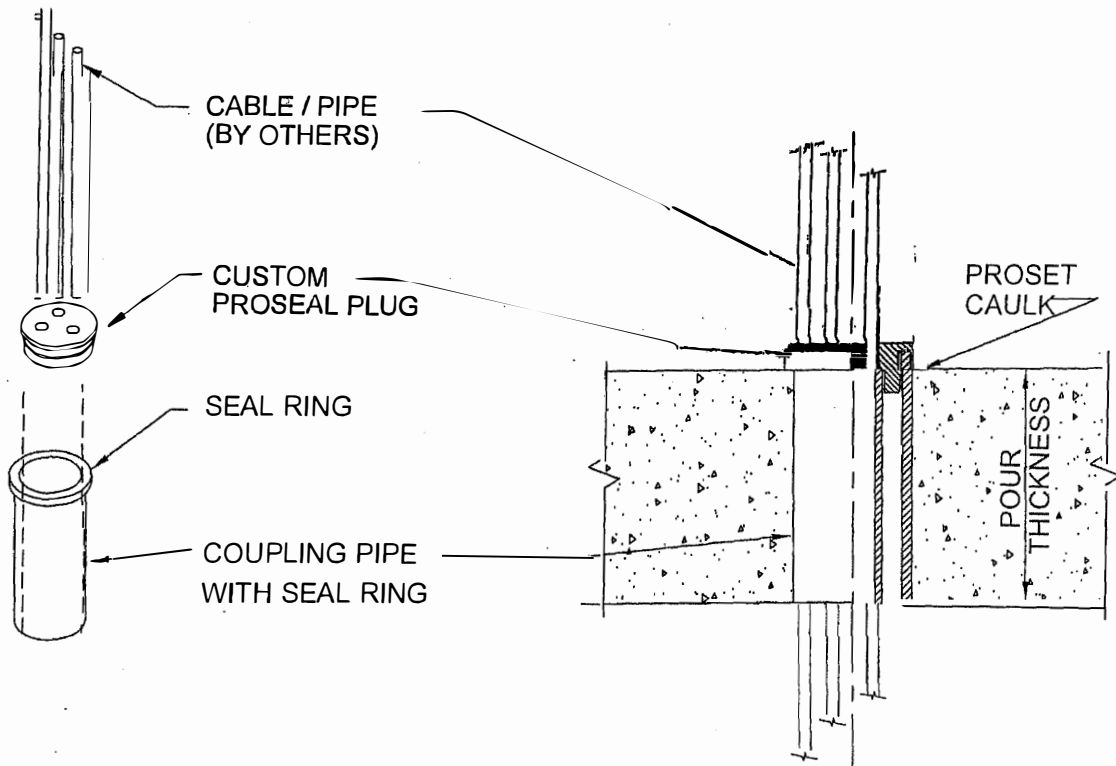


PROSEAL PLUG SLEEVE ASSEMBLY

PRECAST CONCRETE OR EXISTING CONCRETE FOR FLOORS & WALLS



EXPLODED VIEW

Size	Part No.	Description	Price	Unit Total
2"	P2543H-G-CH	Sleeve Coupling	4.95	
7/8"-3/8"	P23878	Refrigeration ProSeal	2.95	7.90
Multi-Hole	C20000	Blank ProSeal Plug	2.95	

Plug Drilled to accommodate various size openings: .75 per hole

Larger sizes through 6" are also available for multiple openings-See Component P-10.



W.H. Directory Reference 99 Edition
Firestop Device
W.H. Design No. PS/PH 120-03
F Rating 2 Hrs.



PROSET[®]
SYSTEMS
FIRESTOP PENETRATOR™

DATE :

5-31-21

DRG. NO.

A-1003-Dp