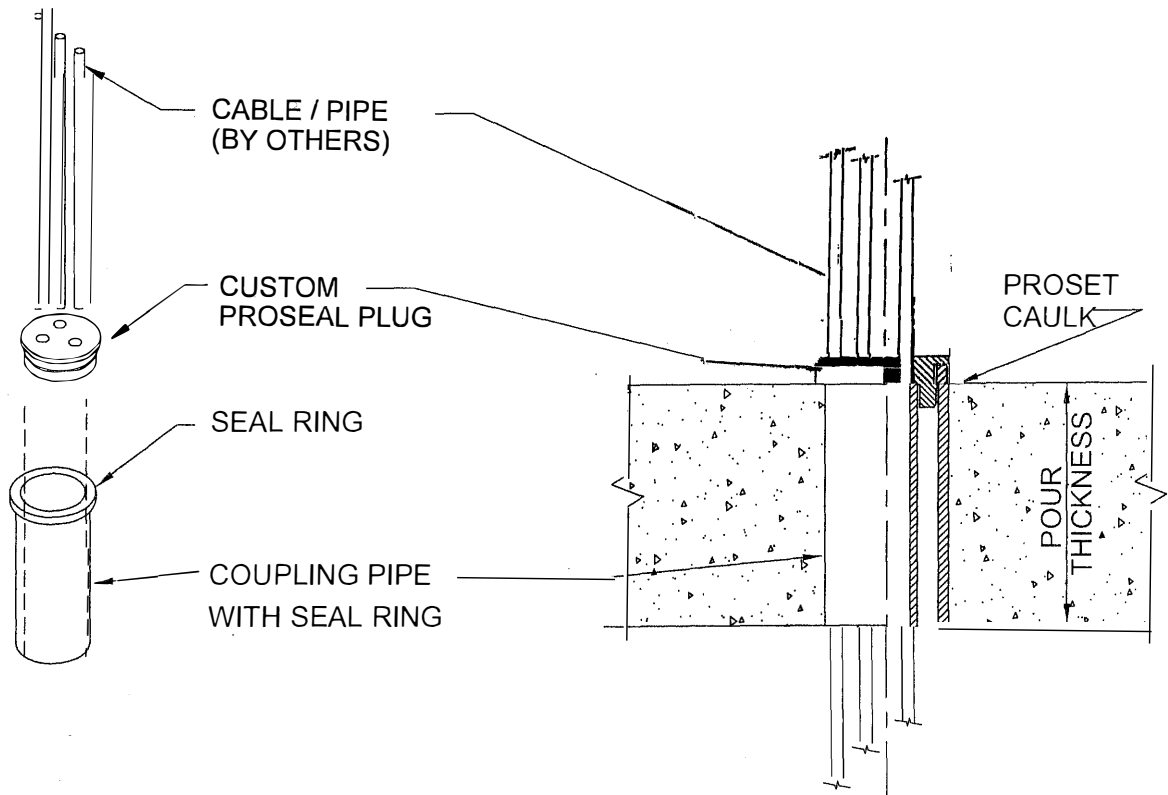


PROSEAL PLUG SLEEVE ASSEMBLY

PRECAST CONCRETE OR EXISTING CONCRETE FOR FLOORS & WALLS



EXPLODED VIEW

IMPORTANT NOTES :

1. For 2" Coupling Pipe drill a 2 3/4" cored hole.
2. Install a bead of ProSet Caulk around the coupling flange to waterproof.
3. Insert pass through cable or pipe up through the sleeve coupling.
4. Install the custom size split ProSeal Plug around the pipe & drive up into the sleeve coupling.

Alternate : Plugs may be solvent cemented in for waterproofing and ease of installation.



W.H. Directory Reference 99 Edition
Firestop Device
W.H. Design No. PS/PH 120-03
F Rating 2 Hrs.



PROSET[®]
SYSTEMS
FIRESTOP PENETRATOR™

DATE :

5-31-21

DRG. NO.

A-1003-D