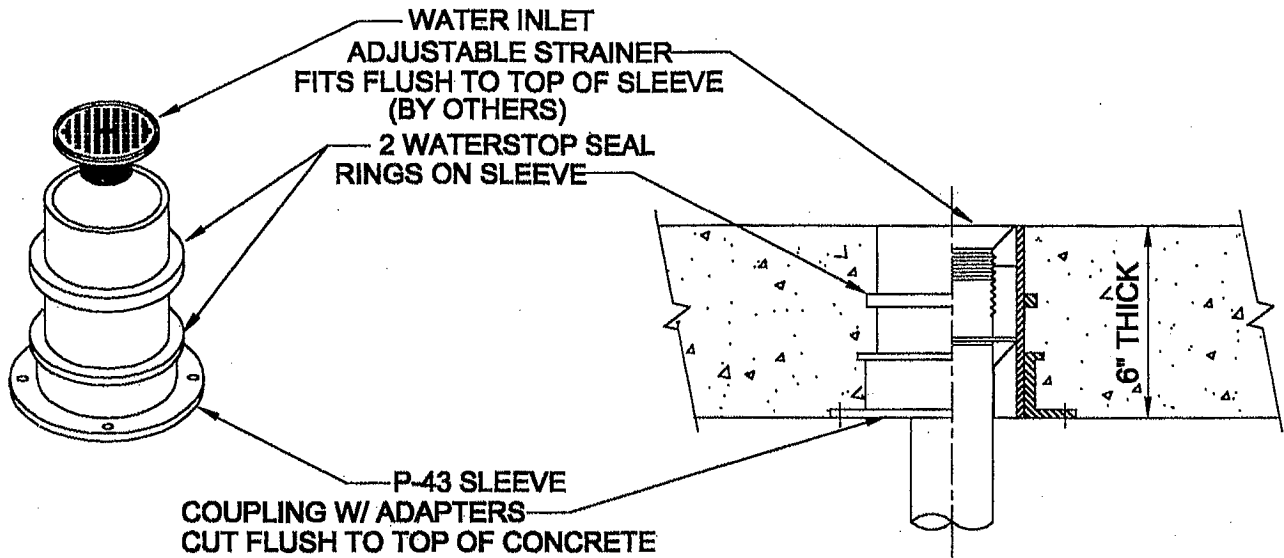


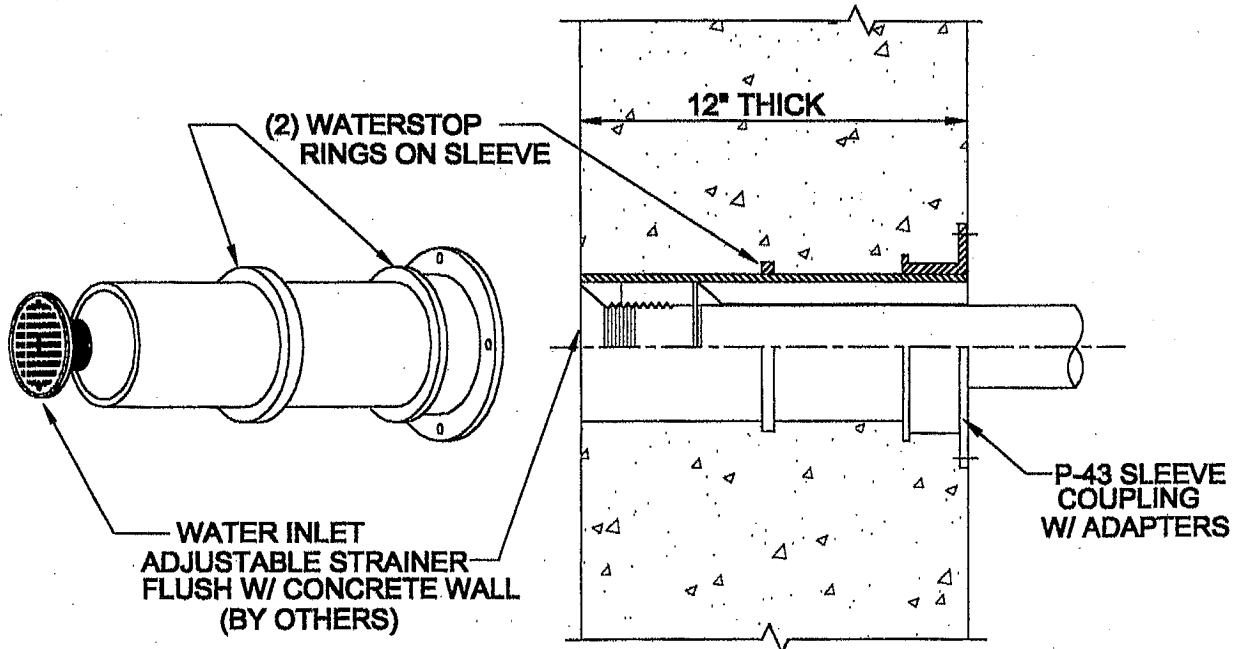
# SWIMMING POOL PENETRATIONS

FOR POOL FLOORS AND WALLS



FLOOR INLET

PROSET PART NO. P-45206 FLOOR INLET.



WALL INLET

PROSET PART NO. P-452512 WALL INLET

**FUNCTION:** To adjust the movement of water and to introduce purification chemicals which will determine their location and pattern of disbursement.

**PROSET**<sup>®</sup>  
**SYSTEMS**  
POOL FITTINGS

DATE :

01-11-01

DRG. NO.

4811