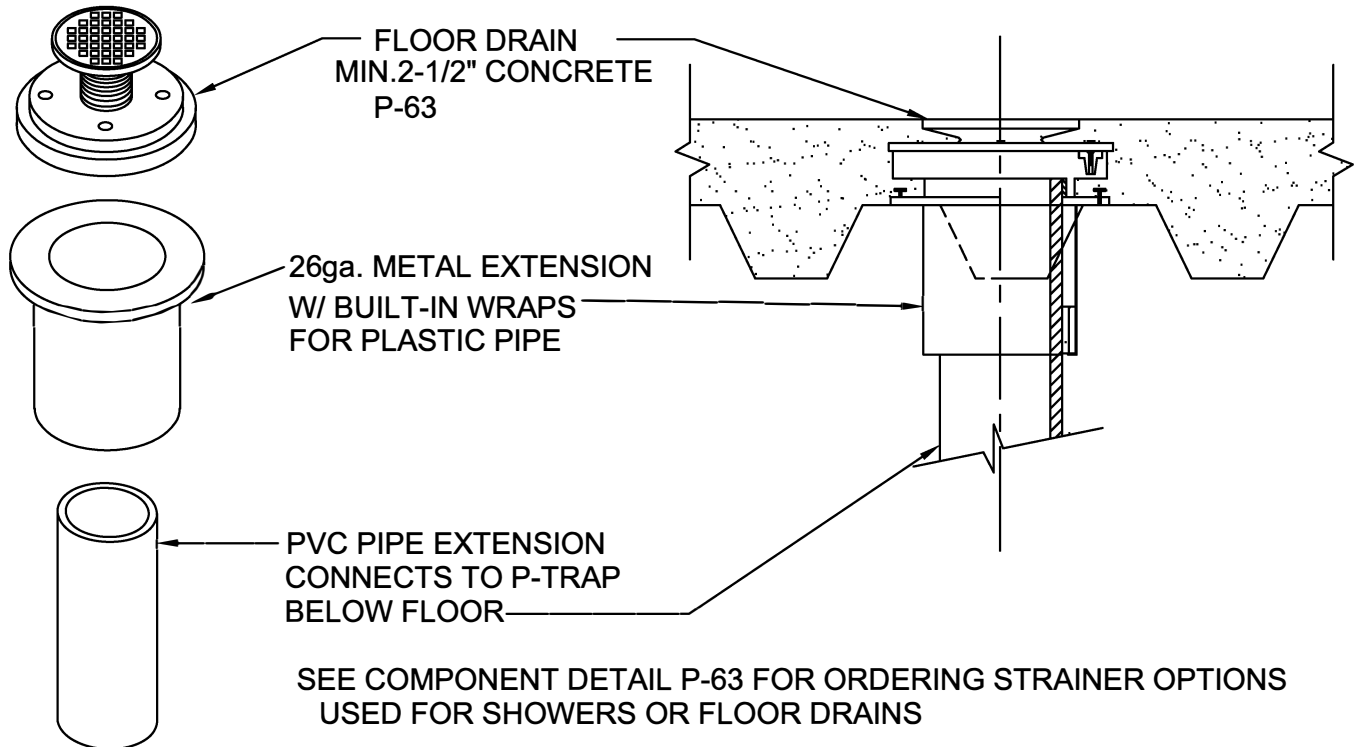


SELF SEAL SHOWER/FLOOR DRAIN ASSEMBLY

CONCRETE ON CORRUGATED METAL DECK
FOR FLOORS



IMPORTANT NOTES:

1. Cut hole through the corrugated metal deck to accommodate the 26 gauge metal extension to the bottom of the corrugations.
2. Mount the # 49 flange to the corrugated metal with sheet metal screws. If necessary use a right angle metal strip, S-34348, to span the corrugations.
3. Insert the drain top and extension pipe through the flange to the bottom of the corrugations.
4. Solvent cement the plastic pipe to the flange at the proper elevation.
5. Connect the vertical pipe to a P-Tap and branch piping.

Also available with 5" square tops - See component drwg. P-63



W.H. Directory Reference 98 Edition
Firestop Device
W.H. Design No. PS/PH 120-14
F Rating 2 Hrs.



PROSET[®]
SYSTEMS
FIRESTOP PENETRATOR™

DATE :

5-31-21

DRG. NO.

C-6332-C