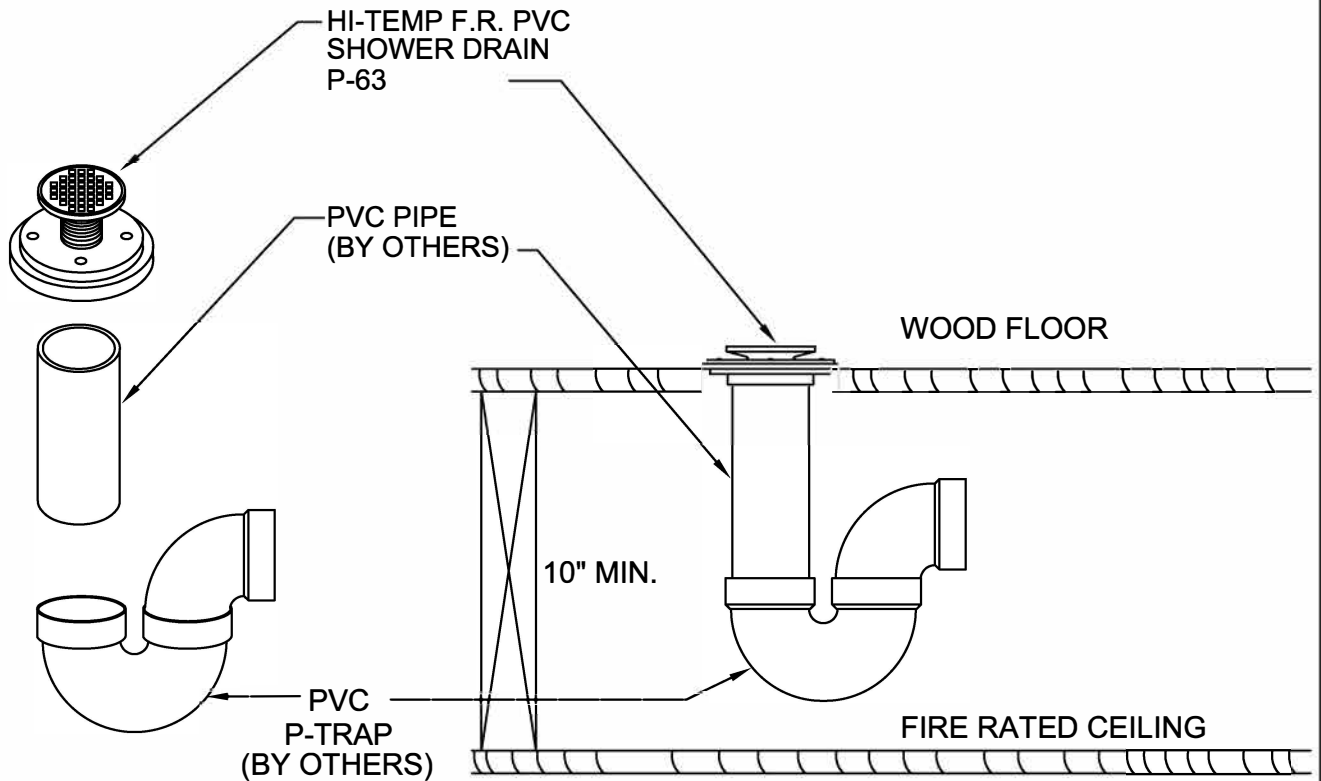


# FIRE RATED SHOWER DRAIN

FOR WOOD FLOOR / CEILING ASSEMBLIES



Size	Part No.	Description	Price
2"	P25630-WC	2" F.R. Shower Drain	47.10



W.H. Directory Reference 99 Edition  
Firestop Device  
W.H. Design No. PS/PH 120-06  
F Rating 2 Hrs.



**PROSET**<sup>®</sup>  
**SYSTEMS**  
FIRESTOP PENETRATOR™

DATE :  
5-31-21  
DRG . NO .  
C-6321-Ep