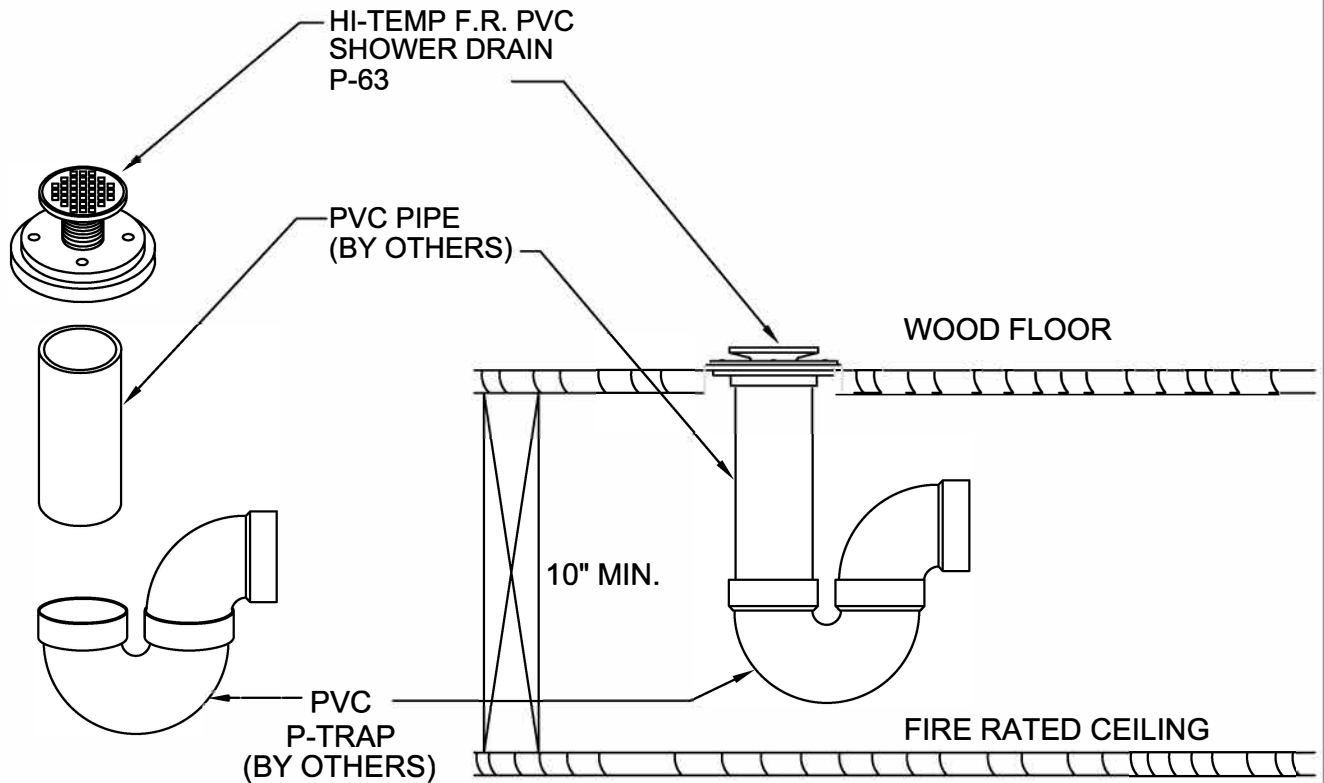


FIRE RATED SHOWER DRAIN

FOR WOOD FLOOR / CEILING ASSEMBLIES



IMPORTANT NOTES :

1. Use a hole saw to drill a 6" hole through the wood floor at the desired location to fit the fire rated shower drain.
2. Connect a 2" P-Trap to the 2" coupling extension at bottom of shower drain.
3. Clamping ring will secure the waterproofing membrane shower pan.
4. Adjustable Government Spec. drain strainer adjusts to finished tile floor.



W.H. Directory Reference 99 Edition
Firestop Device
W.H. Design No. PS/PH 120-06
F Rating 2 Hrs.



PROSET[®]
SYSTEMS
FIRESTOP PENETRATOR™

DATE :

5-31-21

DRG. NO.

C-6321-E