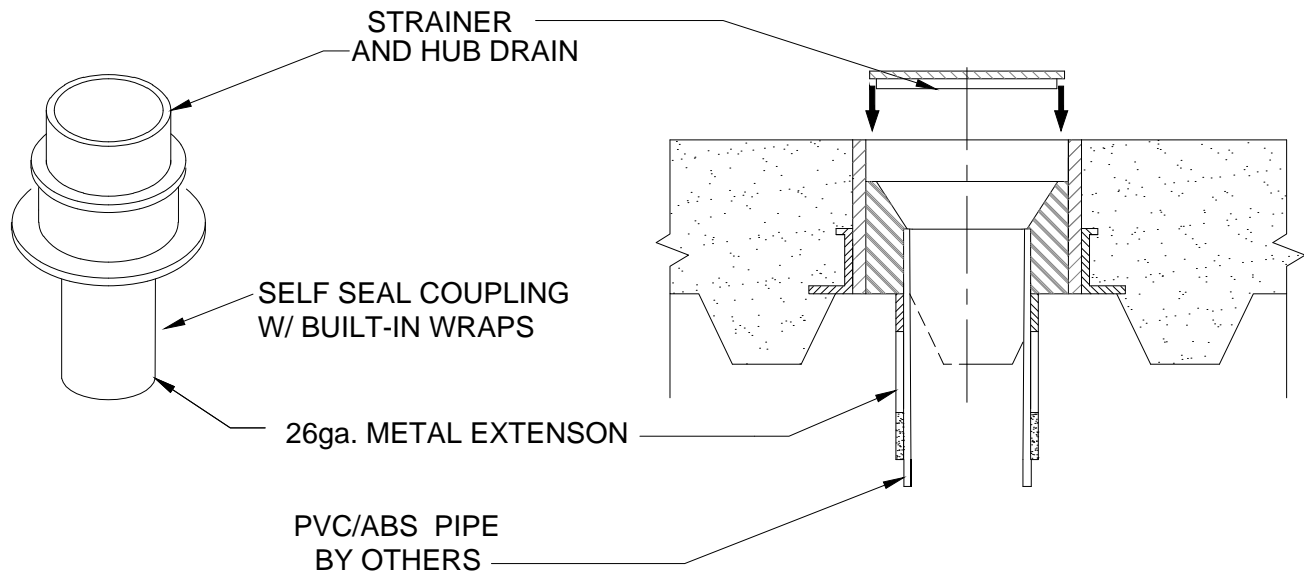


HUB DRAIN ASSEMBLY

CONCRETE ON CORRUGATED METAL DECK
FOR FLOORS



USED FOR CONDENSATE TYPE DRAINS

IMPORTANT NOTES:

1. Cut hole through the corrugated metal deck to accommodate the 26 gauge metal extension to the bottom of the corrugations.
2. Mount the # 49 flange to the corrugated metal with sheet metal screws. If necessary use a right angle metal strip, S-34348, to span the corrugations.
3. After the pour, remove protective tape.
4. Solvent cement the plastic branch pipe into the bottom of the coupling.
5. Plastic pipe is supported at the trap by solvent cementing to embedded coupling.

Also available with optional strainer



W.H. Directory Reference 98 Edition
Firestop Device
W.H. Design No. PS/PH 120-14
F Rating 2 Hrs.



PROSET[®]
SYSTEMS
FIRESTOP PENETRATOR™

DATE :

5-31-21

DRG . NO .

C-6320-C