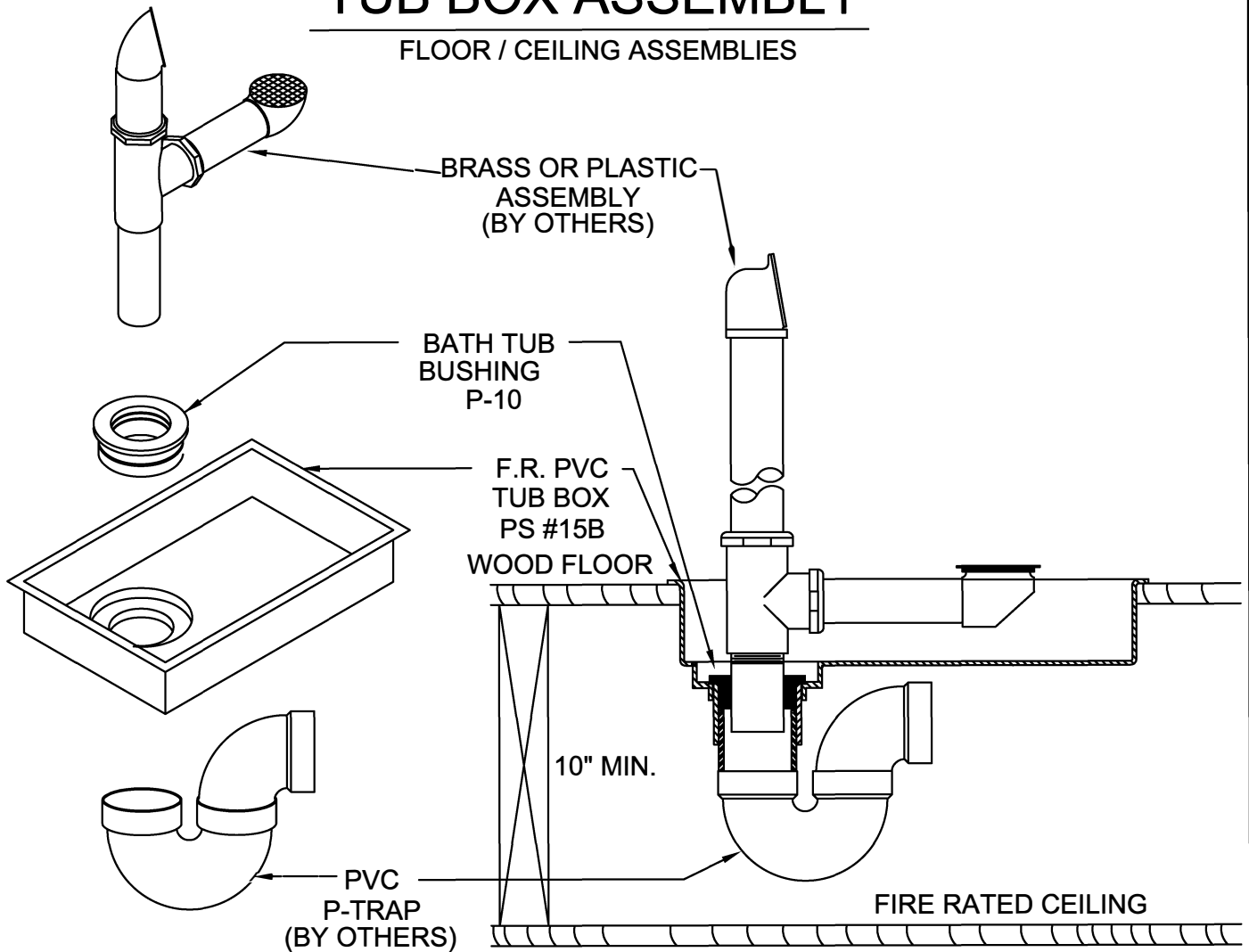


TUB BOX ASSEMBLY

FLOOR / CEILING ASSEMBLIES



Size	Part No.	Description	Price	Unit Total
2"	P25620 S	2" Tub Box (Wood F/C)	16.85	
2"	P25620 S-1EF*	Styrofoam 1" above Tub Box	22.00	
2"	C25661 or C25662	Bushing 1 1/2" pipe or tube	2.95	19.80 or 24.95

Saw cut a 6 1/4" X 10 1/4" hole to fit tub box assembly

*Use this part number with gypcrete topping



W.H. Directory Reference 99 Edition
Firestop Device
W.H. Design No. PS/PH 120-06
F Rating 1 or 2 Hrs.



PROSET[®]
SYSTEMS
FIRESTOP PENETRATOR™

DATE :
5-31-21
DRG. NO. :
C-6211-Ep