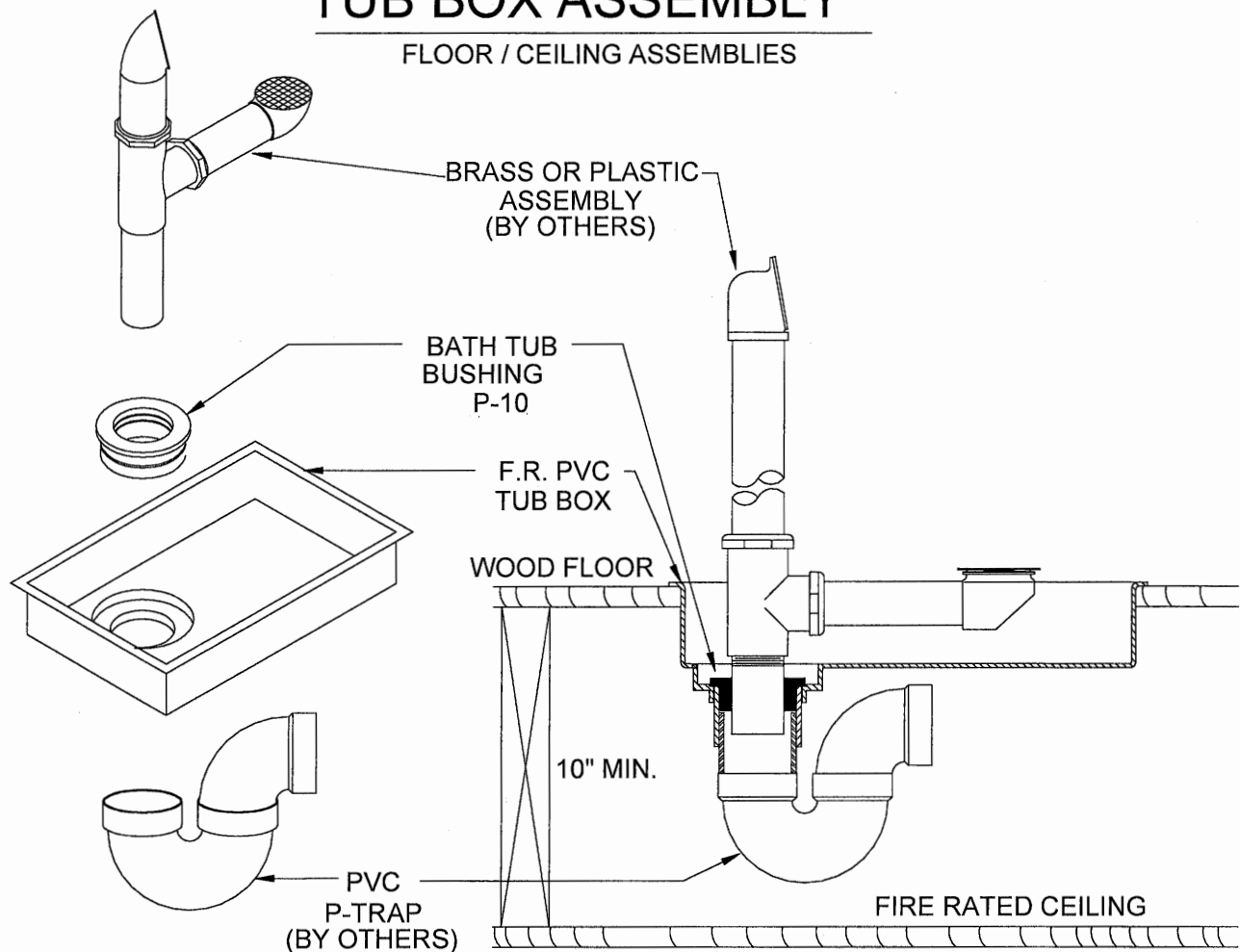


TUB BOX ASSEMBLY

FLOOR / CEILING ASSEMBLIES



IMPORTANT NOTES :

1. Cut a 6 1/4" x 10 1/4" slot in wood floor at the tub location to fit fire rated PVC tub box.
2. Use screws through the holes in tub box to secure to the wood floor.
3. Connect a 2" or 1 1/2" PVC P-Trap to the 2" coupling extension at bottom of tub box.
4. Push the tubular or pipe size waste and overflow through the proper size ProSeal Plug.
5. Use either a C25661 for pipe size or C25662 ProSeal Plug for tubular size W & O.
6. For gypcrete topping on floor a styrafoam insert can be used to extend 1" above the top of the box.
7. Tub box can also be used for a 2" precast shower drain by extending 2" PVC pipe from the tub box coupling up into the precast shower drain joint.



W.H. Directory Reference 99 Edition
Firestop Device
W.H. Design No. PS/PH 120-06
F Rating 1 or 2 Hrs.



PROSET[®]
SYSTEMS
FIRESTOP PENETRATOR™

DATE :

5-31-21

DRG . NO .

C-6211-E