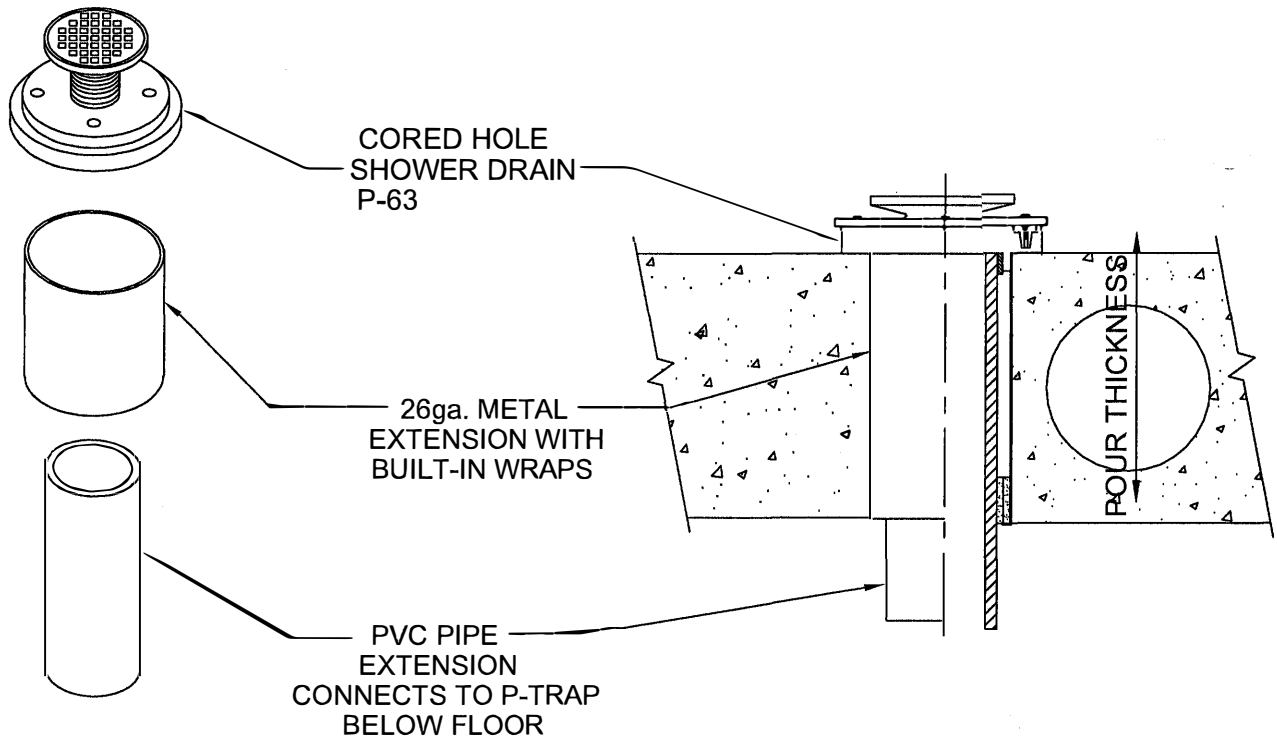


# SHOWER/FLOOR DRAIN ASSEMBLY

FOR CORED HOLES THROUGH EXISTING CONCRETE OR  
HOLLOW CORE FLOORS



SEE COMPONENT DETAIL P-63 FOR VARIOUS SIZE STRAINER OPTIONS.  
SEE DRAWING C-6330-A-B FOR CAST-IN PLACE & C-6330-C FOR METAL DECK.

## IMPORTANT NOTES :

1. Core a 3" hole for a 2" drain and a 4 1/2" hole for a 3" size drain. Insert drain into the cored hole.
2. Tile man to build up concrete around shower area to the base flange before setting waterproof pan.
3. Set the waterproof pan and connect the P-Trap to the PVC pipe to complete the installation.



W.H. Directory Reference 99 Edition  
Firestop Device  
W.H. Design No. PS/PH 120-07  
F Rating 2 Hrs.



**PROSET**<sup>®</sup>  
**SYSTEMS**  
FIRESTOP PENETRATOR™

DATE :

5-31-21

DRG. NO.

C-6330-D