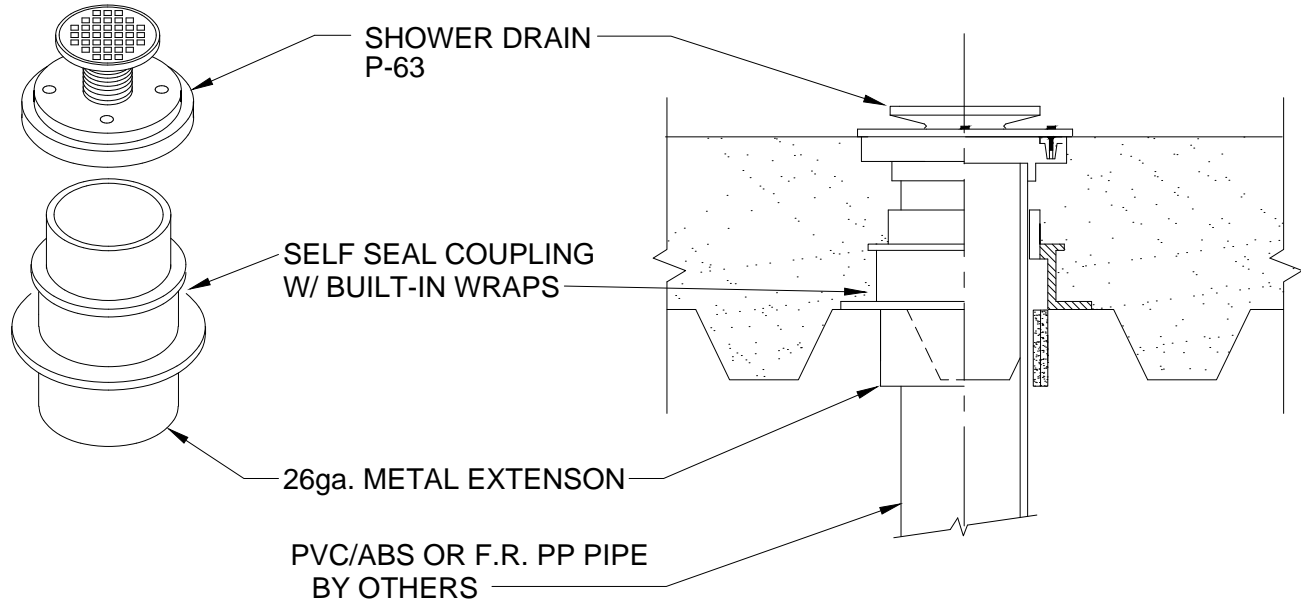


TILE SHOWER/FLOOR DRAIN ASSEMBLY

CONCRETE ON CORRUGATED METAL DECK
FOR FLOORS



Size	Part No.	Description	Price	Unit Total
2"	P2563H-S or F-CM-SSW	2" Shower/Floor Drain With built-in Wrap Strips	63.85	
3"	P3563H-S or F-CM-SSW	3" Shower/Floor Drain With built-in Wrap Strips	76.50	
4"	P4563H-S or F-CM-SSW	4" Shower/Floor Drain With built-in Wrap Strips	81.35	

-S After part number is for Shower Drain. -F After part number is for Floor Drain

Add suffix X for the 5.00" Strainer Top
Add suffix SQ for a 5" Square Top



W.H. Directory Reference 98 Edition
Firestop Device
W.H. Design No. PS/PH 120-14
F Rating 2 Hrs.



PROSET[®]
SYSTEMS
FIRESTOP PENETRATOR™

DATE :

5-31-21

DRG . NO .

C-6330-Cp