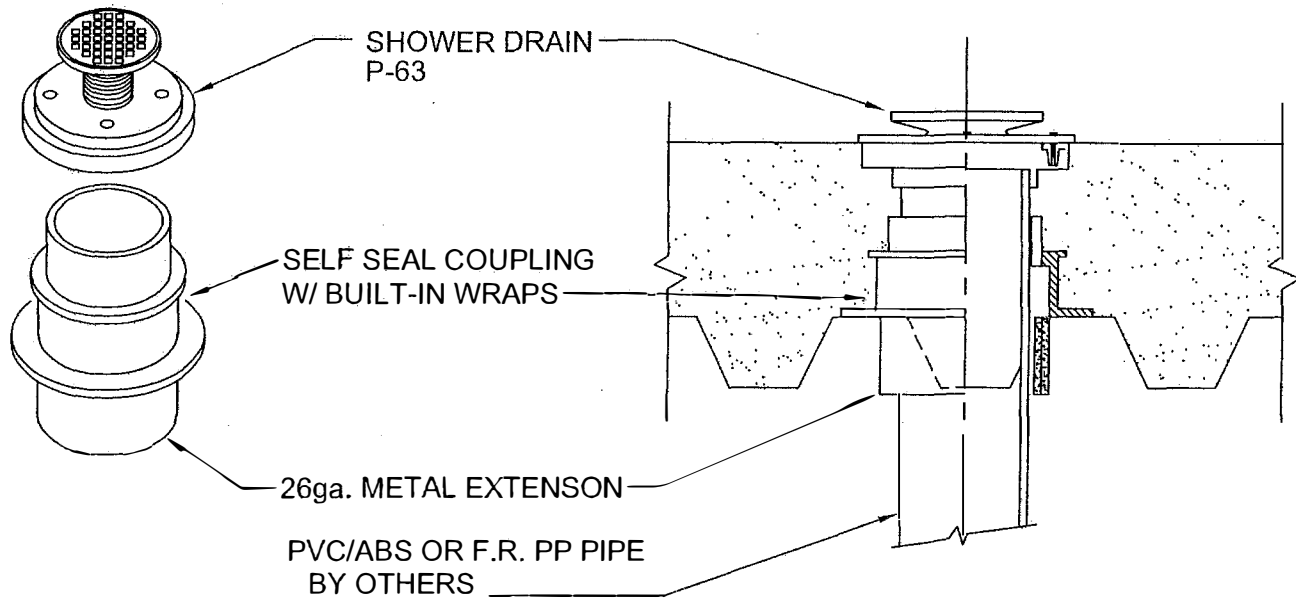


TILE SHOWER/FLOOR DRAIN ASSEMBLY

CONCRETE ON CORRUGATED METAL DECK
FOR FLOORS



SEE COMPONENT DETAIL P-63 FOR ORDERING STRAINER OPTIONS
USED FOR SHOWERS OR FLOOR DRAINS

IMPORTANT NOTES:

1. Cut hole through the corrugated metal deck to accommodate the 26 gauge metal extension to the bottom of the corrugations. Solvent cement Shower/Floor drain top to sleeve coupling.
2. Mount the # 49 flange to the corrugated metal with sheet metal screws. If necessary use a right angle metal strip, S-34348, to span the corrugations.
3. After the pour, remove protective tape.
4. Solvent cement the plastic pipe into the # 45 tapered coupling.
5. Plastic pipe is supported at the trap by solvent cementing to embedded coupling.

Also available with 5.75" round and 5" square tops - See component drwg. P-63.



W.H. Directory Reference 98 Edition
Firestop Device
W.H. Design No. PS/PH 120-14
F Rating 2 Hrs.



PROSET[®]
SYSTEMS
FIRESTOP PENETRATOR™

DATE :
5-31-21

DRG. NO.
C-6330-C