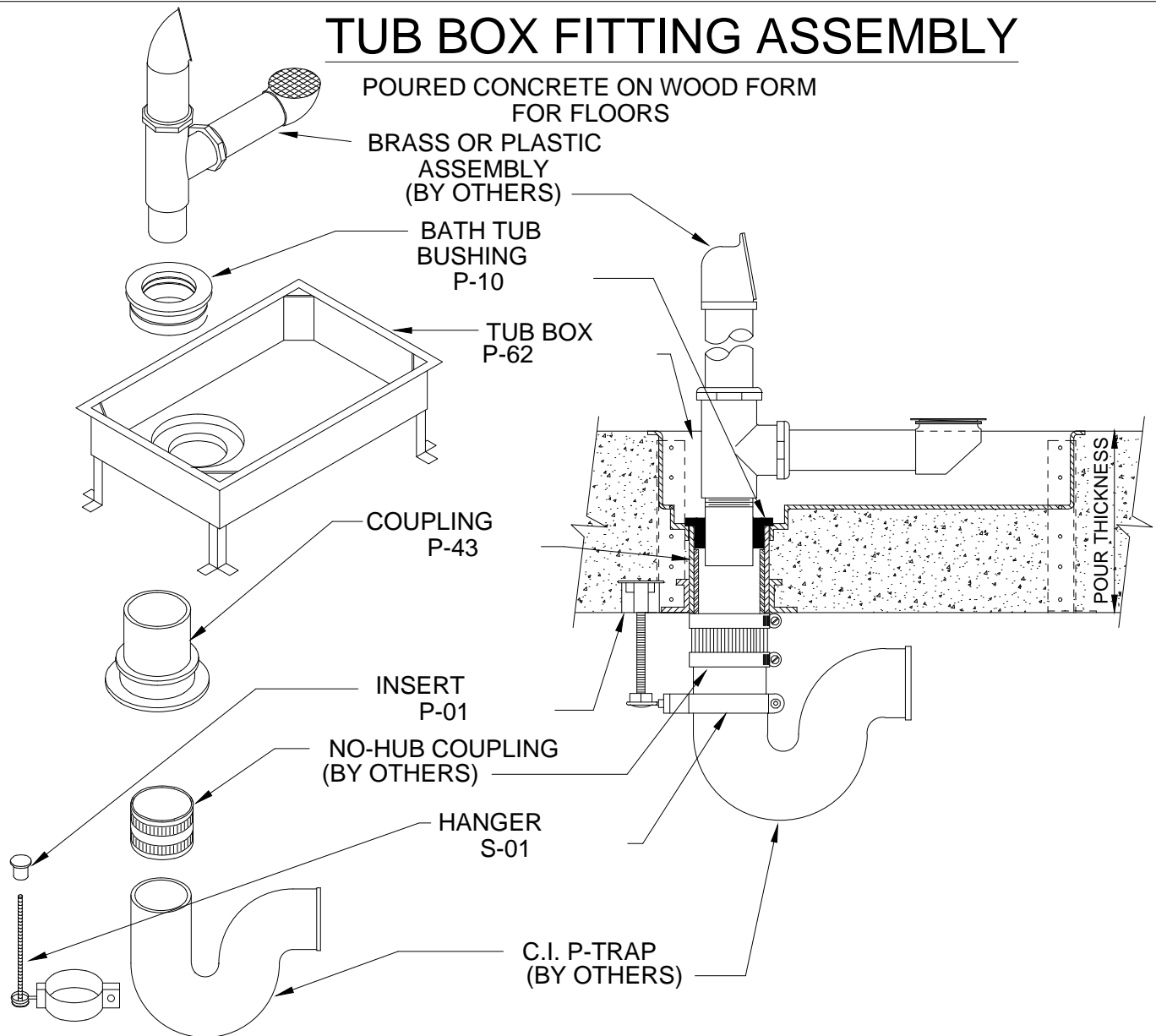



# TUB BOX FITTING ASSEMBLY



Size	Part No.	Description	Price	Unit Total
2"	P2562H	2" Tub Box Assembly	19.45	
2"	P25902	2" P-90 Pipe nipple	.75	
2"	S25470	2" E-Z No-Hub Coupling	3.90	
2"	A02238	2" Hanger Assembly	5.45	
3/8"	A00138BLK	3/8" Preset Insert	1.35	
2"	C25661	Pipe Size tub bushing	2.95	
		OR		
2"	C25662	Tube Size tub bushing	2.95	
				33.85


 W.H. Directory Reference 99 Edition  
 Firestop Device  
 W.H. Design No. PS/PH 120-02  
 F Rating 2 or 3 Hrs.



**PROSET**<sup>®</sup>  
**SYSTEMS**  
 FIRESTOP PENETRATOR<sup>™</sup>

DATE :  
 5-31-21  
 DRG . NO .  
 B-6210-A