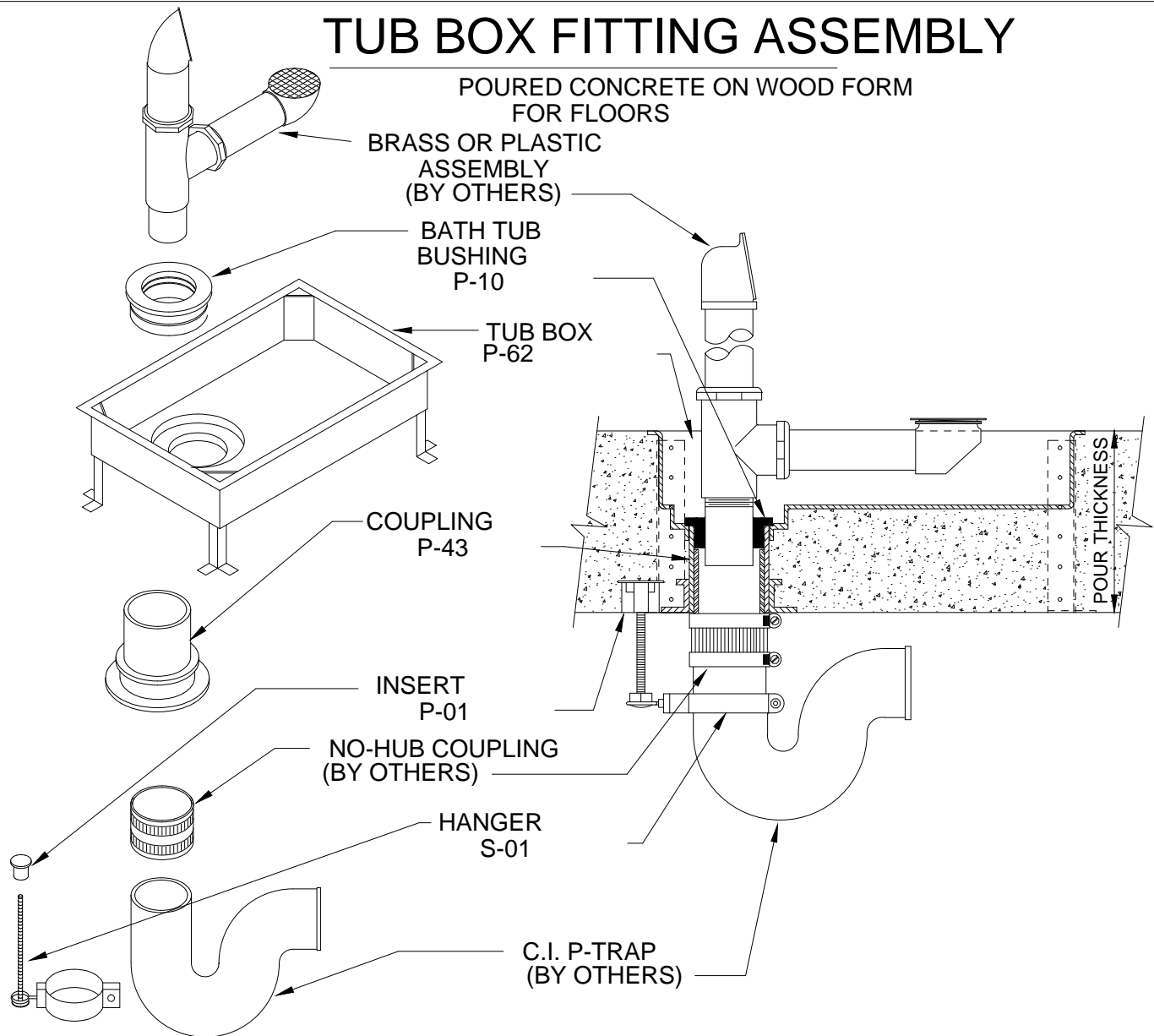


TUB BOX FITTING ASSEMBLY



IMPORTANT NOTES :

1. Insert the proper height snap-in support legs & solvent cement the coupling into the openings into the socket in the tub box.
2. Use nails through the leg & flange holes to mount box to deck.
3. Set P-01 concrete insert abutting against the mounting flange.
4. After the concrete pour, insert & solvent cement the proper length P90 Hi-Temp PVC pipe into the P-43 coupling.
5. Install the cast iron P-Trap to the liner using a no-hub coupling & install the S-01 hanger to the P-Trap in a secure manner.
6. Remove styrofoam from tub box, knock out test plug & insert either a C25661 tub bushing for a pipe size or C25662 tube size W & O.



W.H. Directory Reference 99 Edition
Firestop Device
W.H. Design No. PS/PH 120-02
F Rating 2 or 3 Hrs.



PROSET[®]
SYSTEMS
FIRESTOP PENETRATOR[™]

DATE :

5-31-21

DRG . NO .

B-6210-A