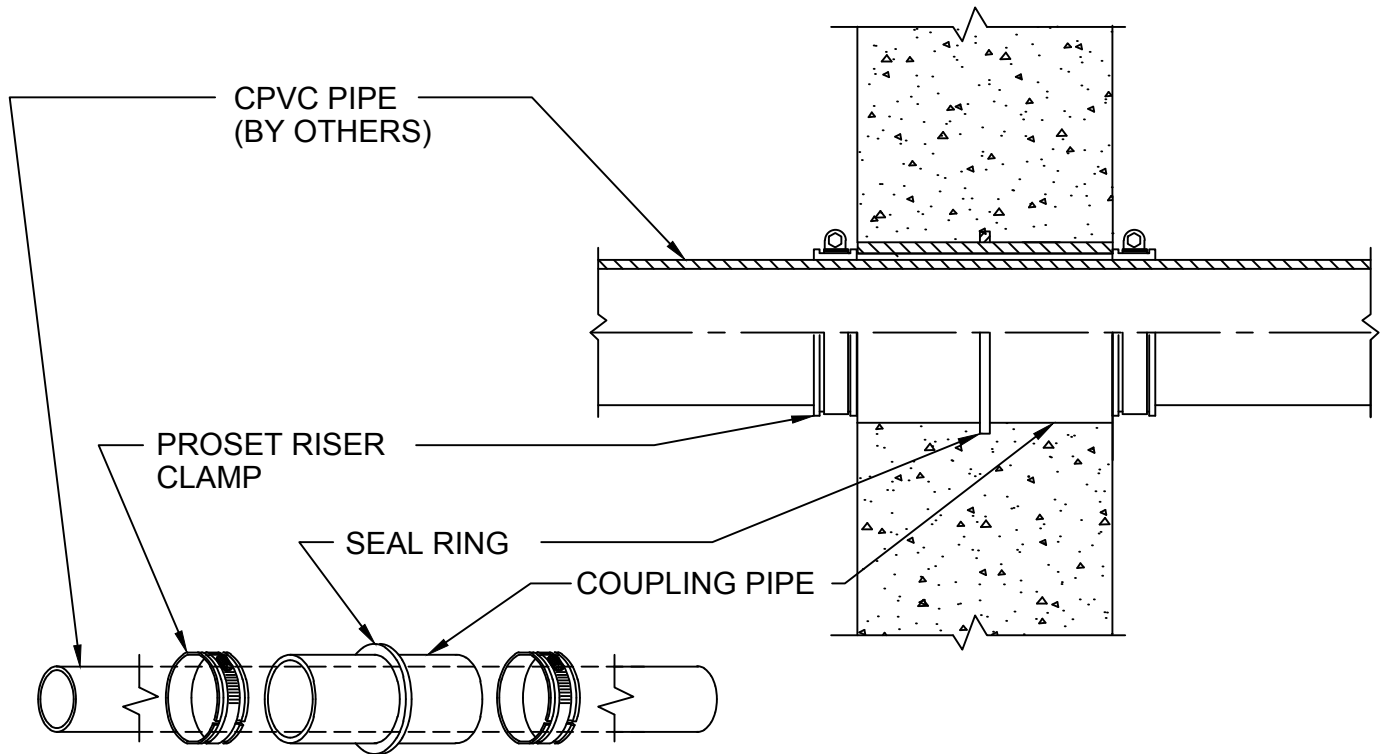


RISER CLAMP DEVICE

FOR BLOCK/BRICK WALLS



Size	Part No.	Description	Price	Unit Total
2"	P2543H-B or G-MW A02214 (2)	2" Sleeve Coupling 2" Riser Clamp	4.55 5.90	10.45
2½"	P3843H-MW A03212 (2)	2½" Sleeve Coupling 2½" Riser Clamp	7.45 7.70	15.15
3"	P3543H-B or G-MW A03214 (2)	3" Sleeve Coupling 3" Riser Clamp	6.70 6.60	13.30
4"	P4543H-B or G-MW A04214 (2)	4" Sleeve Coupling 4" Riser Clamp	9.20 8.30	17.50
5"	P6843H-MW A05214 (2)	5" Sleeve Coupling 5" Riser Clamp	22.85 13.20	36.05
6"	P6543H-B-MW A06214 (2)	6" Sleeve Coupling 6" Riser Clamp	15.30 13.50	28.80

Use "B" Black letter sleeve pipe for cast iron, glass or steel or "G" Green for copper or plastic
Use suffix CU for copper -CI for cast iron -S for steel pipe when ordering Riser Clamps.



W.H. Directory Reference 97 Edition
Firestop Device
W.H. Design No. PS/PHV 120-05
F Rating 2 Hrs.



PROSET[®]
SYSTEMS
FIRESTOP PENETRATOR™

DATE :
8-01-18
DRG. NO. :
A-1015-G