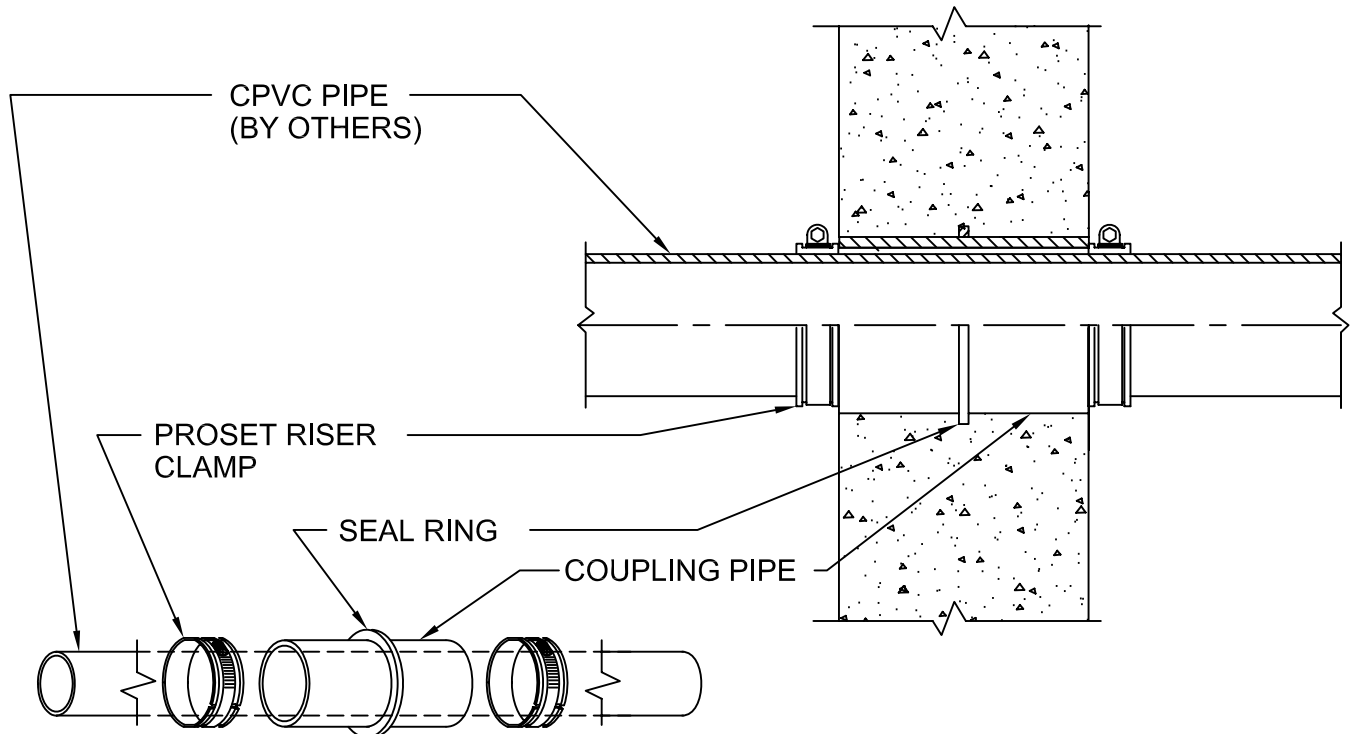


RISER CLAMP DEVICE

FOR BLOCK/BRICK WALLS



IMPORTANT NOTES :

1. Cut the Sleeve Coupling Pipe to the proper length to fit flush or extend out 1 1/2" on either side of wall.
2. Solvent weld a Seal Ring in the middle of Sleeve Pipe.
3. The Mason should mud the Sleeve Pipe in at the appropriate location.
4. Insert the CPVC pipe through the coupling.
5. Install Riser Clamps on both sides, flush with the wall Sleeve.
6. When ordering riser clamp - Use suffix CU for copper sizes - S for steel pipe sizes.
7. Use Black letter Sleeve Pipe for steel sizes -Red letter pipe for copper sizes.



W.H. Directory Reference 97 Edition
Firestop Device
W.H. Design No. PS/PHV 120-05
F Rating 2 Hrs.



PROSET[®]
SYSTEMS
FIRESTOP PENETRATOR™

DATE :
1-10-06
DRG . NO .
A-1015-G