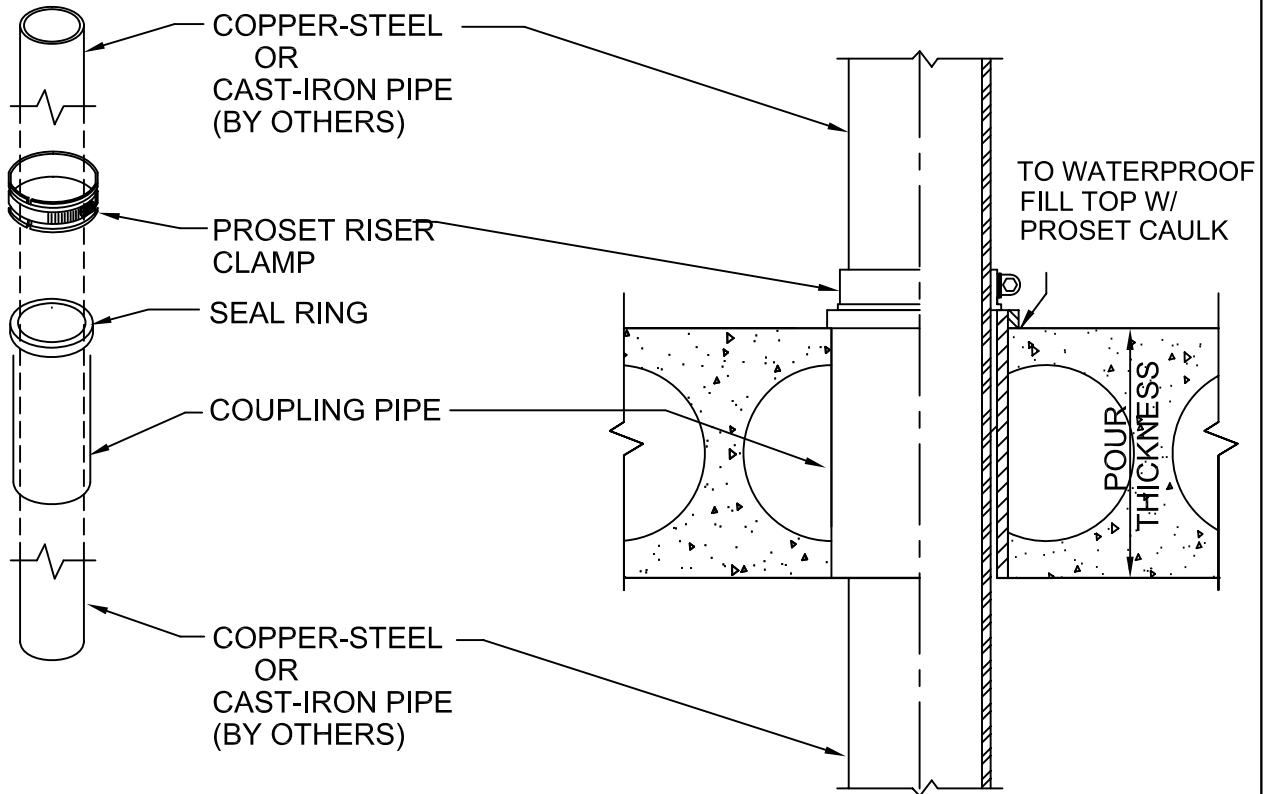


RISER CLAMP DEVICE

PRECAST CONCRETE OR EXISTING CONCRETE
FOR FLOORS OR WALLS



IMPORTANT NOTES :

1. Core a 2 3/4" hole for 2" - 4" hole for 3" - 5" hole for 4" - 7-1/2" for 6".
2. Install a bead of ProSet Caulk around the coupling flange to waterproof.
3. Insert the copper, c.i. or steel pipe through the coupling.
4. Fill void at top with ProSet Caulking to waterproof.
5. Install riser clamp around the pipe to support and draft stop. Clamp on both sides for walls.
6. When ordering riser clamp - Use suffix CU for copper - CI for cast iron or S for steel pipe.
7. Use Black letter Sleeve Pipe for steel/cast iron - Red letter pipe for copper.



W.H. Directory Reference 97 Edition
Firestop Device
W.H. Design No. PS/PHV 180-01
F Rating 3 Hrs.



PROSET[®]
SYSTEMS
FIRESTOP PENETRATOR™

DATE :
1-10-06
DRG . NO .
A-1014-DHC