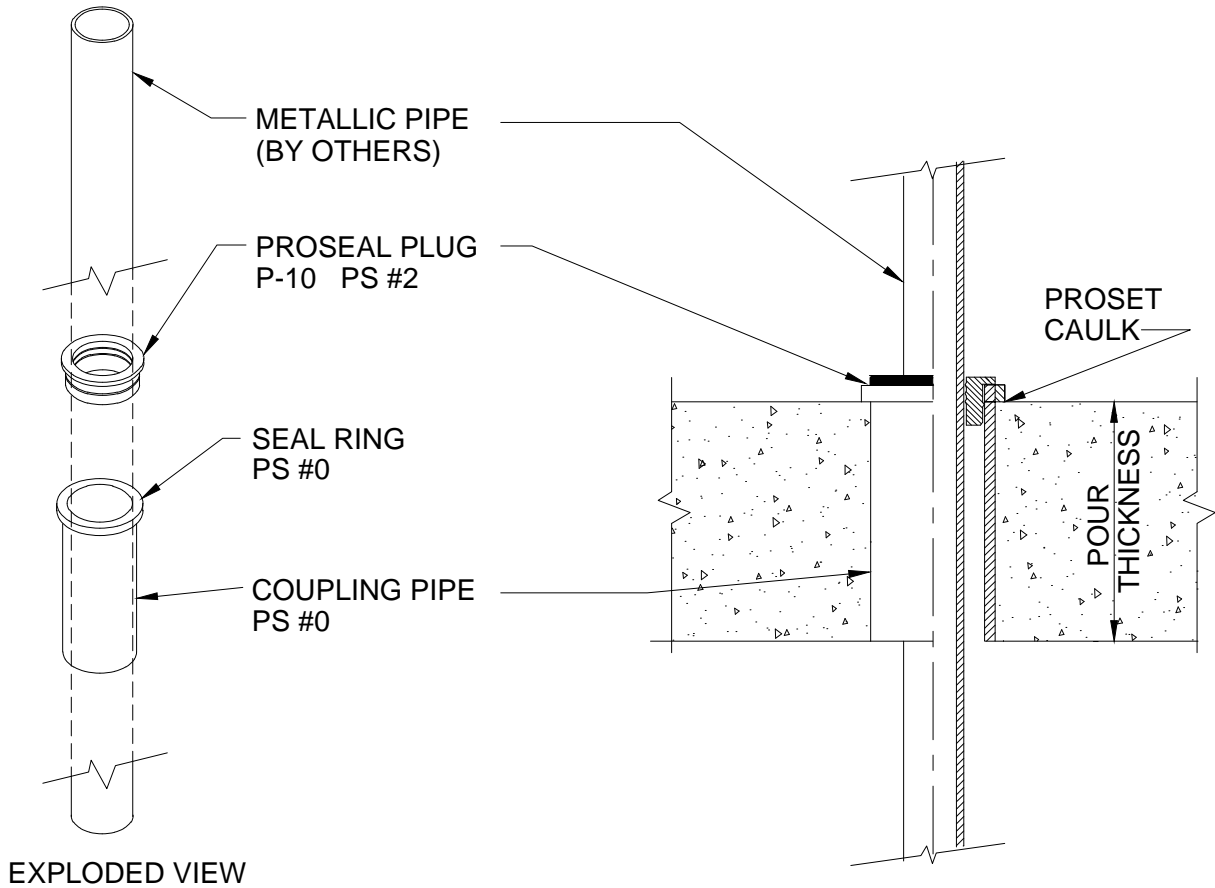


# PROSEAL PLUG SLEEVE ASSEMBLY

PRECAST CONCRETE OR EXISTING CONCRETE FOR FLOORS & WALLS



EXPLODED VIEW

Size	Part No.	Description	Price	Unit Total	Core Size
1/2"	P2543H-G-CH C20012	Sleeve Coupling 2"x 1/2" ProSeal Plug	4.95 2.95	7.90	2 3/4"
3/4"	P2543H-G-CH C20034	Sleeve Coupling 2"x 3/4" ProSeal Plug	4.95 2.95	7.90	2 3/4"
1"	P2543H-G-CH C20100	Sleeve Coupling 2"x 1" ProSeal Plug	4.95 2.95	7.90	2 3/4"
1 1/4"	P2543H-G-CH C20114	Sleeve Coupling 2"x 1 1/4" ProSeal Plug	4.95 2.95	7.90	2 3/4"
1 1/2"	P2543H-G-CH C20112	Sleeve Coupling 2"x 1 1/2" ProSeal Plug	4.95 2.95	7.90	2 3/4"



W.H. Directory Reference 99 Edition  
Firestop Device  
W.H. Design No. PS/PH 120-03  
F Rating 2 Hrs.



**PROSET**<sup>®</sup>  
**SYSTEMS**  
FIRESTOP PENETRATOR<sup>™</sup>

DATE :  
5-31-21  
DRG . NO .  
A-1010-D