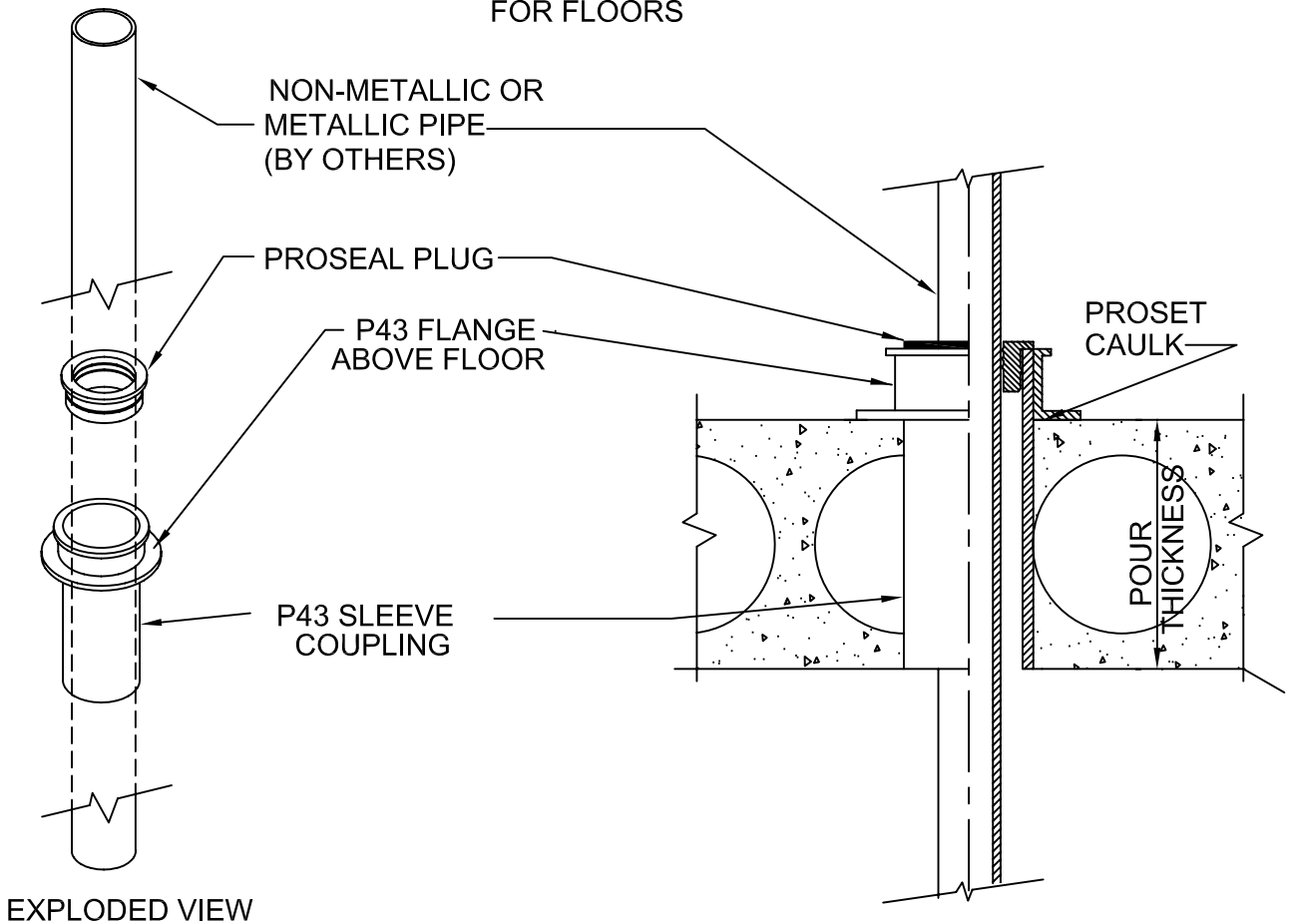


WATERPROOF PROSEAL PLUG DEVICE

PRECAST CONCRETE OR EXISTING CONCRETE
FOR FLOORS



IMPORTANT NOTES :

1. For 2" Coupling Pipe drill a 2 3/4" or 3" cored hole.
2. Install a bead of ProSet Caulk around the bottom of the coupling flange to waterproof.
3. Secure the mounting flange to the concrete to seal up the opening.
4. Insert pass through piping up through the sleeve coupling.
5. Install the proper size split ProSeal Plug around the pipe & drive into the sleeve coupling.



W.H. Directory Reference 97 Edition
Firestop Device
W.H. Design No. PS/PHV 120-03
F Rating 2 Hr. or 3 Hrs. or 4 Hrs.



PROSET[®]
SYSTEMS
FIRESTOP PENETRATOR™

DATE :
1-10-06
DRG . NO .
A-1010-DWP