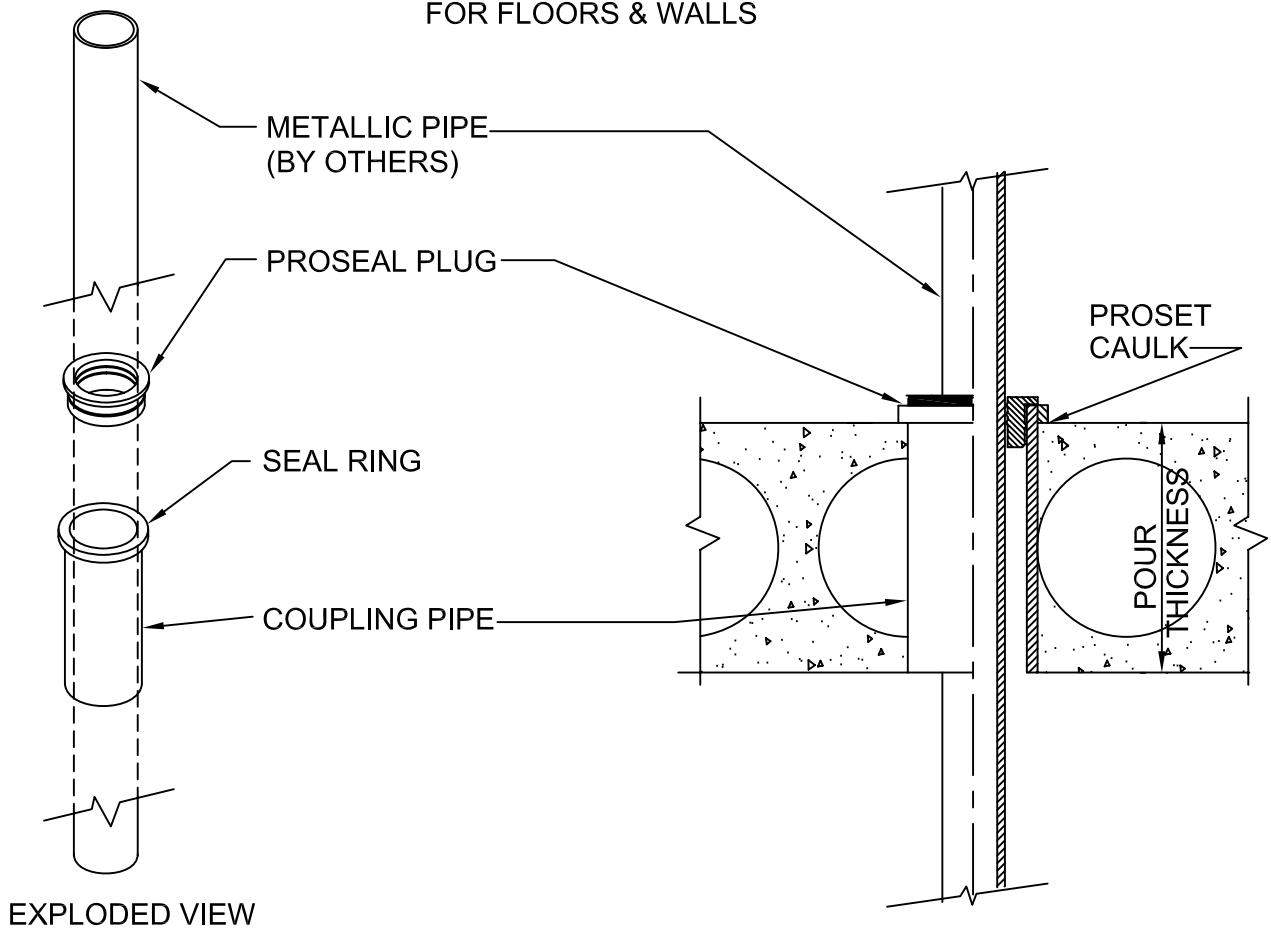


PROSEAL PLUG DEVICE

PRECAST CONCRETE OR EXISTING CONCRETE
FOR FLOORS & WALLS



IMPORTANT NOTES :

1. For 2" Coupling Pipe drill a 2 3/4" cored hole.
2. Install a bead of ProSet Caulk around the coupling flange to waterproof.
3. Insert pass through piping up through the sleeve coupling.
4. Install the proper size split ProSeal Plug around the pipe & drive into the sleeve coupling.
5. Use two ProSeal plugs for wall installations.
6. Use Seal Ring in middle of Coupling Pipe to secure within masonry wall.

Important: See drawing A-1010-AC or ACR for waterproofing



W.H. Directory Reference 97 Edition
Firestop Device
W.H. Design No. PS/PHV 120-03
F Rating 2 Hr. or 3 Hrs. or 4 Hrs.



PROSET[®]
SYSTEMS
FIRESTOP PENETRATOR™

DATE :
1-10-06

DRG . NO .
A-1010-DHC