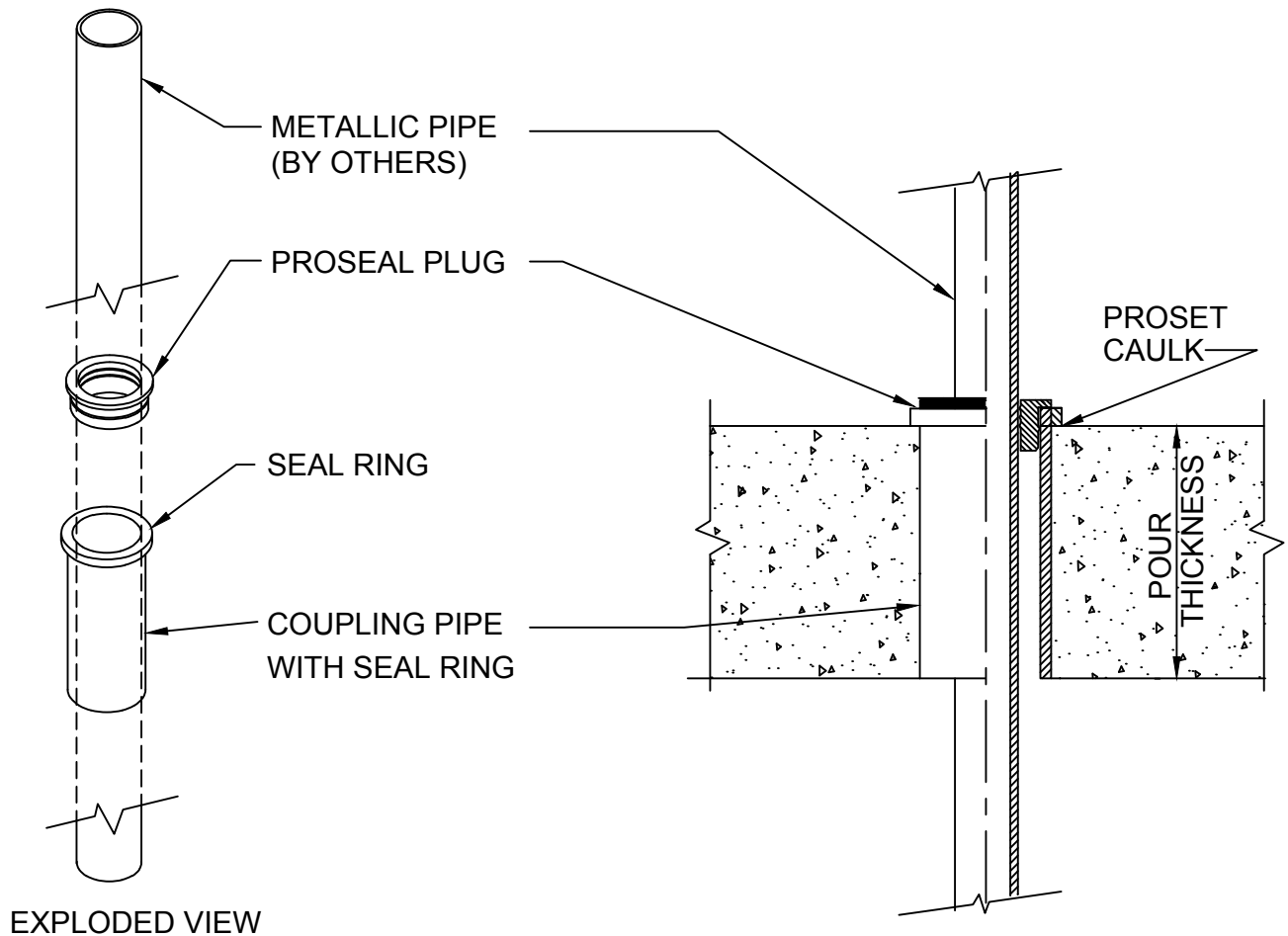


PROSEAL PLUG SLEEVE ASSEMBLY

PRECAST CONCRETE OR EXISTING CONCRETE FOR FLOORS & WALLS



IMPORTANT NOTES :

1. For 2" Coupling Pipe drill a 2 3/4" cored hole.
2. Install a bead of ProSet Caulk around the coupling flange to waterproof.
3. Insert pass through piping up through the sleeve coupling.
4. Install the proper size split ProSeal Plug around the pipe & drive up into the sleeve coupling.
5. Use two ProSeal plugs for wall installations.
6. Use Seal Ring in middle of Coupling Pipe to secure within masonry wall.

Alternate : Plugs may be solvent cemented in for waterproofing and ease of installation.



W.H. Directory Reference 99 Edition
Firestop Device
W.H. Design No. PS/PHV 120-03
F Rating 2 Hrs.



PROSET[®]
SYSTEMS
FIRESTOP PENETRATOR™

DATE :
5-31-21

DRG . NO .
A-1010-D