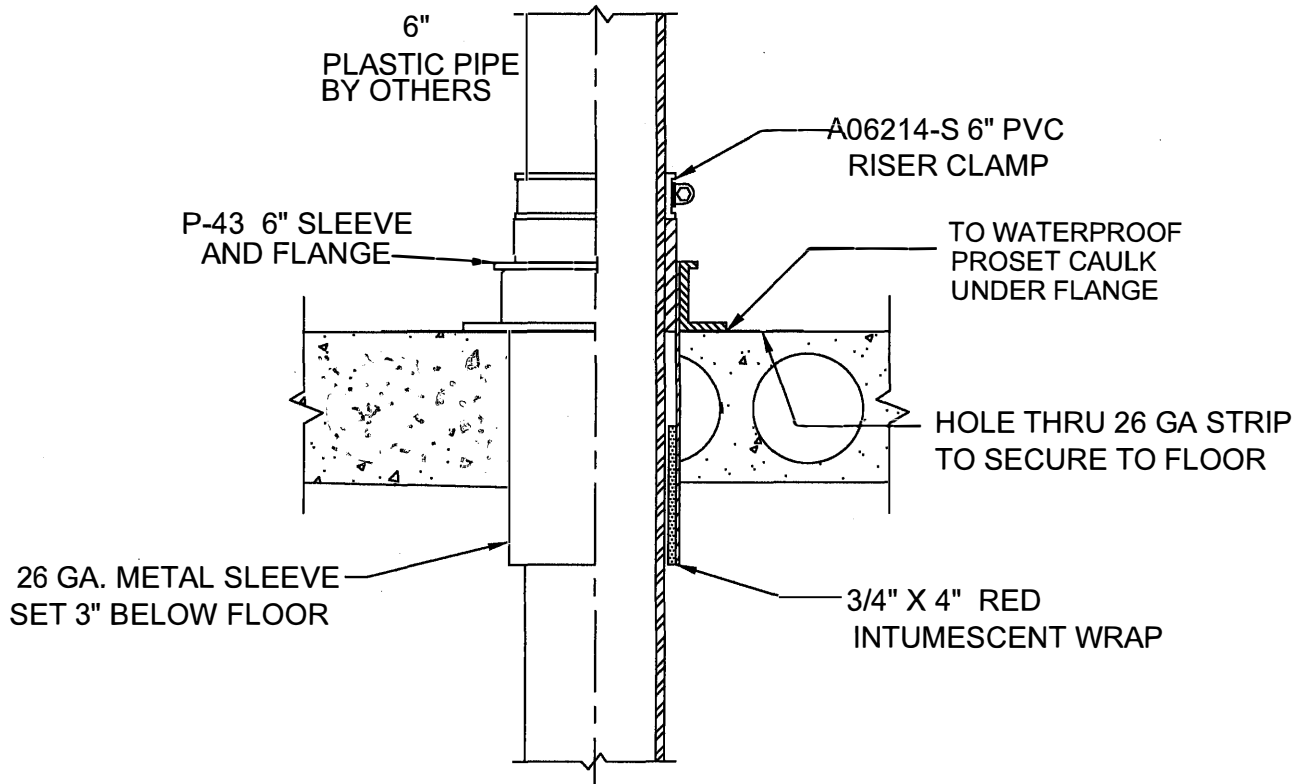


# Self Seal 6" Stack Assembly

CORED THROUGH EXISTING OR HALLOWCORE  
CONCRETE FOR FLOORS



Size	Part No.	Description	Price
5"	P6849H-CHE	5" Self Seal Metal Sleeve	\$86.85
6"	P6549H-B-CHE	6" Self Seal Metal Sleeve	\$80.50
5"	A05214-S	5" PVC Plastic Riser Clamp	\$7.30
6"	A06214-S	6" PVC Plastic Riser Clamp	\$7.45



W.H. Directory Reference 11 Edition  
Firestop Device  
W.H. Design No. PS/PH 180-05  
F Rating 3 Hrs.



**PROSET**<sup>®</sup>  
**SYSTEMS**  
FIRESTOP PENETRATOR™

DATE :  
05-31-21

DRG . NO .  
C-9049-D6p