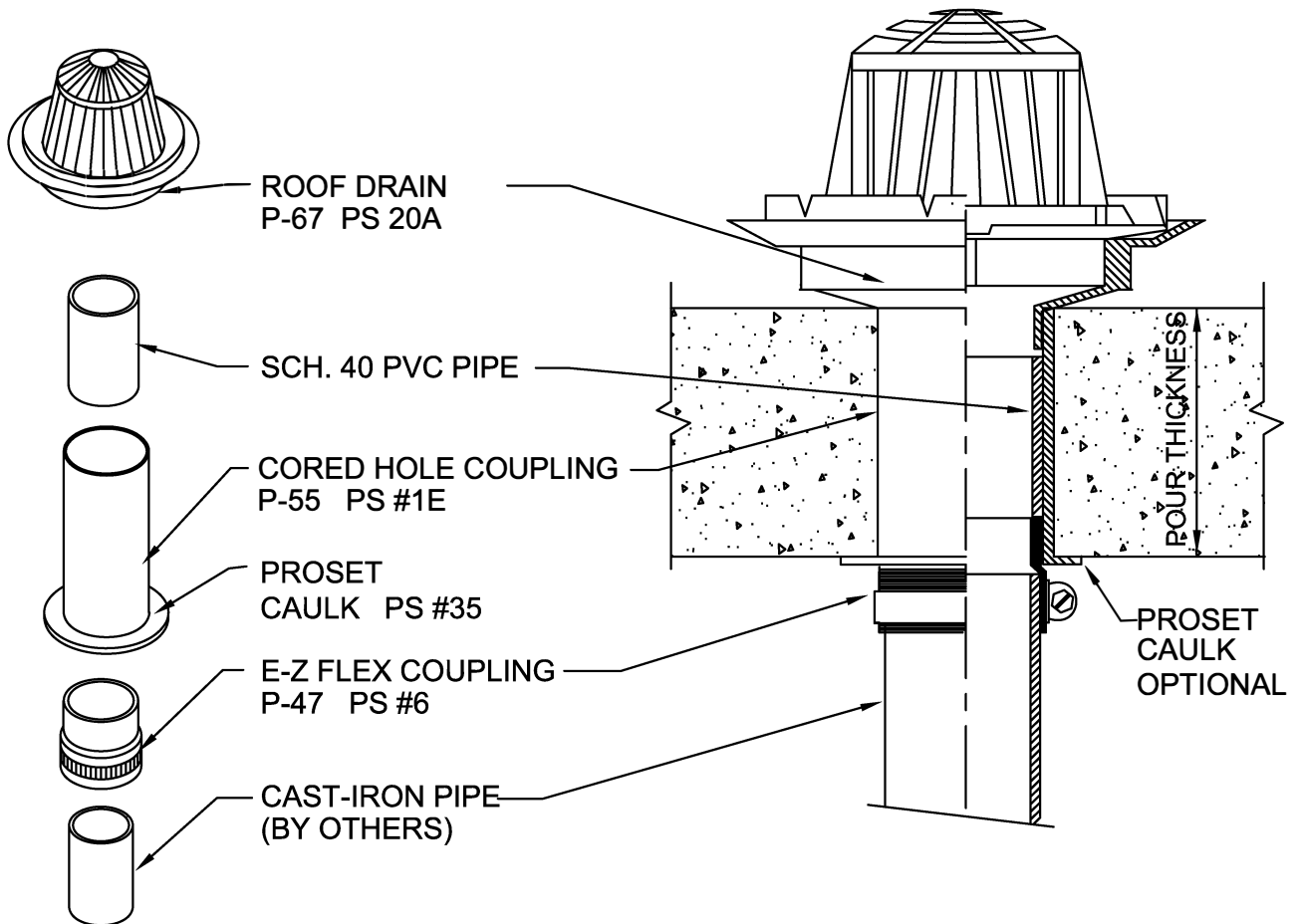


# ROOF DRAIN FITTING ASSEMBLY

PRECAST CONCRETE OR EXISTING CONCRETE



Size	Part No.	Description	Price	Unit Total
2"	P2567H-CH	2" Cored Hole Roof Drain	55.85	
2"	P25470	2" E-Z Flex Coupling	4.85	60.70
3"	P3567H-CH	3" Cored Hole Roof Drain	60.90	
3"	P35470	3" E-Z Flex Coupling	5.35	66.25
4"	P4567H-CH	4" Cored Hole Roof Drain	62.30	
4"	P45470	4" E-Z Flex Coupling	6.70	69.00



W.H. Directory Reference 99 Edition  
Firestop Device  
W.H. Design No. PS/PH 120-03  
F Rating 2 Hrs.



**PROSET**<sup>®</sup>  
**SYSTEMS**  
FIRESTOP PENETRATOR™

DATE :  
5-31-21  
DRG . NO .  
B-6720-DP