

FIRESTOP SYSTEMS

ProSet Systems, Inc.

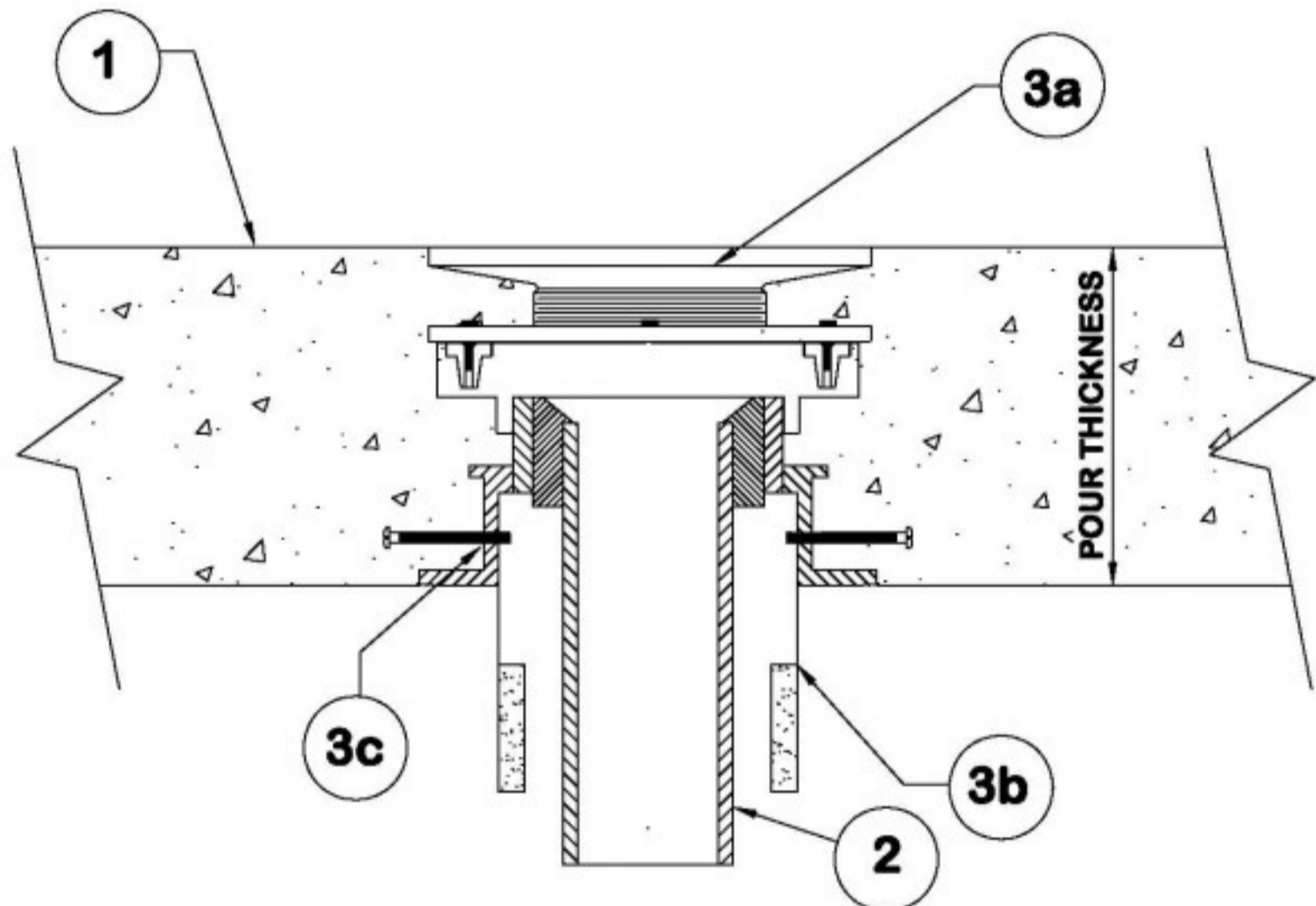
1355 Capital Circle Lawrenceville, GA. 30043-5866 U.S.A.

Design No. PS/PH 120-18

Horizontal (Floor) - See item 1.

Test Pressure Differential - 2.5 Pa (0.01 in. of Water) Minimum

Ratings: ASTM E-814 - 2 Hrs. (F), 2 Hrs. (T)



1. Floor:

Minimum 4-1/2" normal density concrete slab, or 7-1/2" thick hollowcore precast concrete units. Fluted decks with 2-1/2" concrete slab, rating is 1 Hr. F & T.

2. Pipe Material and Pipe Support:

Maximum 3" Regular ABS or PVC Cellular core. Pipe support at penetration by solvent cementing the plastic drain pipe extension to the embedded PVC sleeve coupling.

3. Firestop Device:

3a. Part Number for the 2" Shower Drain is SS2560H* using part number P3549* as the flange base. Part Number for the 3" Floor Drain is SF3560H* using part number P4549* as the flange base.

3b. 4-1/2" diameter for 2" and 6" diameter for 3" by 4-1/2" long 26 gauge sheet metal extension sleeve with factory built-in Red intumescent wrap extending down a minimum 3" below the concrete. The Intumescent Wrap for the 4-1/2" diameter sleeve is 2" X 3/8" and 2" X 5/8" for the 6".

3c. 4 number 8 X 2" sheet metal screws are inserted every 90 degrees through the #49 base fitting and secures the slotted metal extension sleeve to the base fitting by turning the sleeve clockwise.

NOTE: There are many variations of widths for adjustable or fixed type strainer tops that can be used

*** Components Bearing the Warnock Hersey International Certification Mark.**