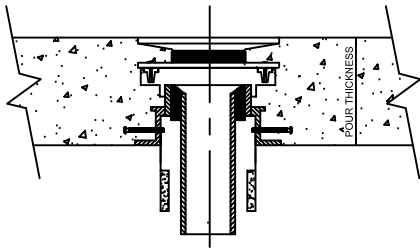
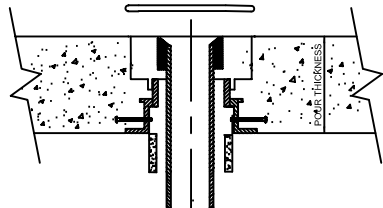


T-RITE FLOOR/SHOWER DRAINS

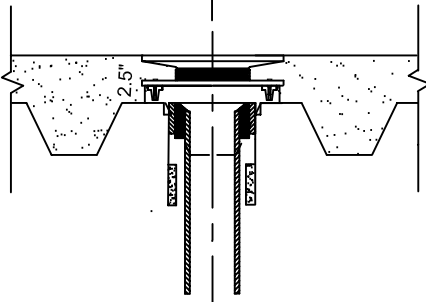
CALL 800-262-5355 FOR AUTO-CAD DOWN LOAD DRAWINGS



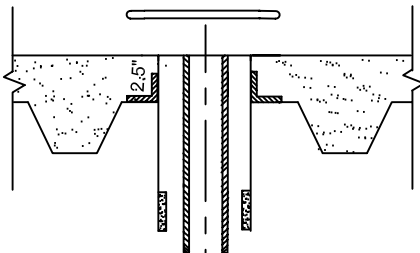
CAST IN PLACE CONCRETE
SS2560-H 2" SHOWER DRAIN
SF2560-H 2" FLOOR DRAIN
SF3560-H 3" FLOOR DRAIN



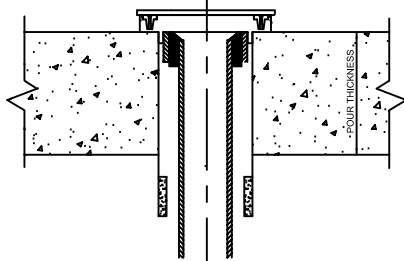
CAST IN PLACE CONCRETE
SS2566-TRF-H 2" PRECAST SHOWER FLOOR
SR-73SS SMOKE SEAL BLOCKER



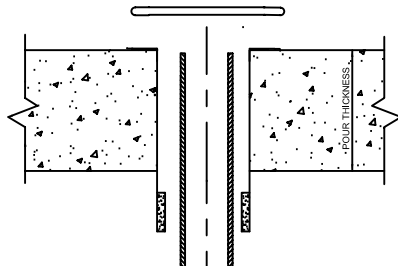
CAST IN PLACE ON CORRUGATED METAL
SS2560-H-CM 2" SHOWER DRAIN
SF2560-H-CM 2" FLOOR DRAIN
SF3560-H-CM 3" FLOOR DRAIN



CAST IN PLACE ON CORRUGATED METAL
SPS2560-H-CM 2" PRECAST SHOWER FLOOR
SR-73SS SMOKE SEAL BLOCKER



CORED HOLE THROUGH CONCRETE
SS2560-H-CH 2" SHOWER DRAIN
FOR FLOOR DRAIN USE SF35630-H
USING A BLOCK OUT IN CONCRETE



CORED HOLE THROUGH CONCRETE
SPS2560-H-CH 2" SHOWER PRECAST FLOOR
SR-73SS SMOKE SEAL BLOCKER

Various Type Strainer Tops
Have Seperate Part Nos.



PROSET[®]
SYSTEMS
FIRESTOP PENETRATOR[™]

DATE :

1-10-12

DRG . NO .

T-RITE NOS.