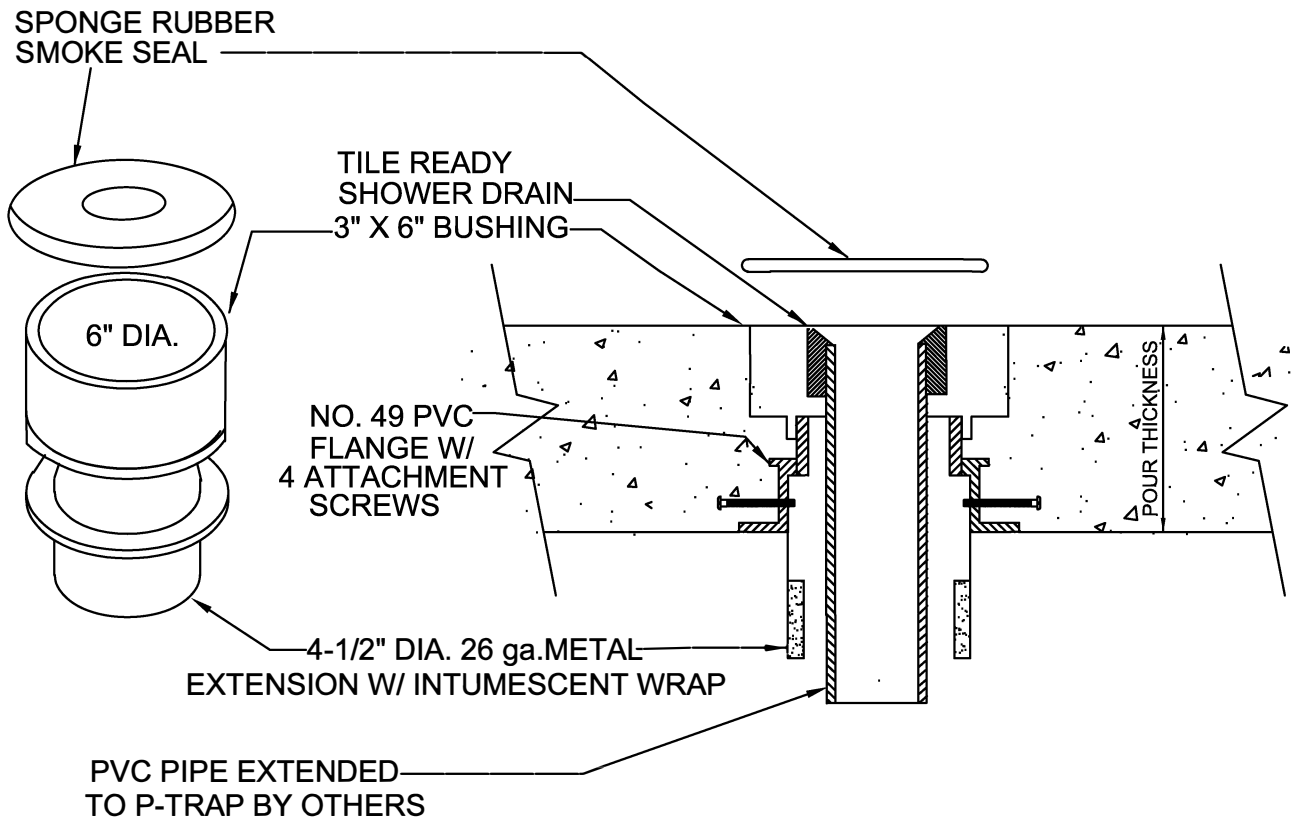


T-RITE TILE READY SHOWER DRAIN

CONCRETE ON WOOD FORM
FOR FLOORS



SEE DRAWING T-6330-C FOR METAL DECKS & T-6330-D FOR CORED HOLES.

IMPORTANT NOTES :

1. Use nails through the special fastening flange holes to mount the # 49 flange to deck.
2. Solvent cement the floor drain base to the 3" X 6" capped bushing to the proper pour height.
3. Set the Tile Ready pan and solvent cement the 2" PVC extension pipe to the drain.
4. Connect the metal extension below by using the slots in the extension and turn clockwise to lock the metal into the four screws to secure the extension to the embedded coupling.
5. Place the 7" X 3" sponge rubber smoke seal between the precast drain and the hub opening.
6. Solvent cement the 2" PVC pipe extension to connect the P-Trap to finish the installation.



W.H. Directory Reference 08 Edition
Firestop Device
W.H. Design No. PS/PH 180-06
F & T Rating 3 & 2 Hrs.



PROSET[®]
SYSTEMS
FIRESTOP PENETRATOR™

DATE :

3-9-12

DRG . NO .
T-6330-ATR